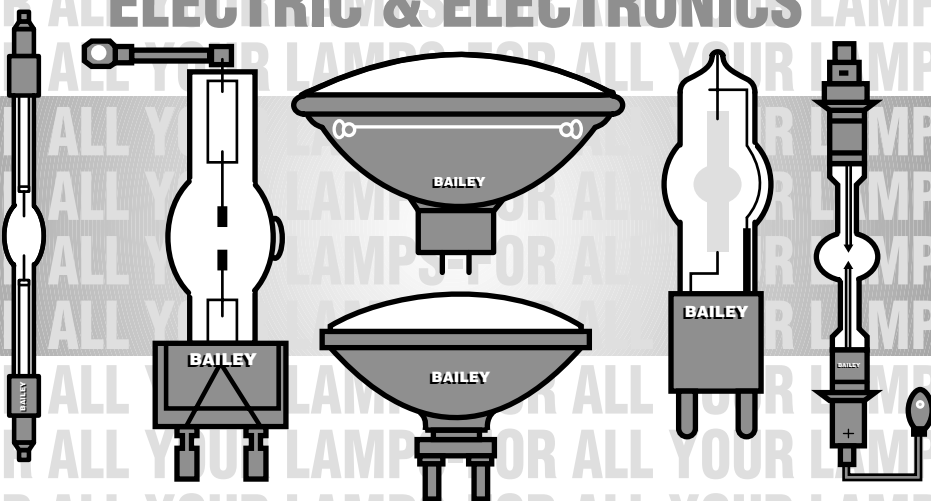


Lamp Catalogue

BAILEY

ELECTRIC & ELECTRONICS



Part 3S

Lamps
for special
purposes

TABLE OF CONTENTS

Page Nr.		Page Nr.	
Short arc xenon lamps	S3-S9	Blended light lamps	S25
Short arc mercury lamps	S10	High pressure sodium lamps	S26
Graphic theimer lamps	S16-S18	Infra red Quartz lamps	S27-S32
Graphic uv lamps	S19-S23	PAR lamps	S33-49
UV discharge lamps	S23	Silicon caps	S50
Infra red lamps	S24	Lampsextractors	S51
High pressure mercury lamps	S25	Sockets	S52-S58

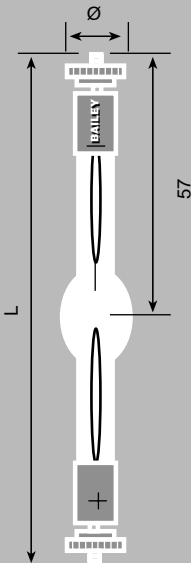
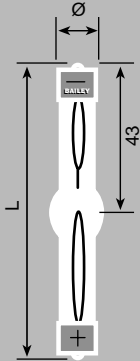
This catalogue has been composed with our full attention and care and we are convinced that it should be correct at the time of printing. However, Bailey Electric & Electronics can never accept any responsibility on descriptions and drawings or any other printing errors.

Also Bailey Electric & Electronics is free to delete or alter lamp types and descriptions.

Lamps for special purposes

Short arc xenon

For scientific - audiovisual - medical application



Volt	Watt	Lumen	Dim.	Base	Type number
------	------	-------	------	------	-------------

14	75	1000	10x90	SFa7,5-2	SAX 75.2
14	100	1900	11x90	SFa7,5-2	SAX 100 OFR

Lamps for special purposes

Short arc xenon

For scientific - audiovisual - medical application

Volt	Watt	Lumen	Dim.	Base	Type number
------	------	-------	------	------	-------------

20	150	3000	20x150	SFcX12-4	SAX 150.1
20	150	2900	20x150	SFcX12-5	SAX 150. CR OFR

Meaning of abbreviations
 CR = for Crosfield scanners
 OFR = ozone free

Other specifications on request.

Lamps for special purposes

Short arc xenon

For scientific - audiovisual - medical application

Volt	Watt	Lumen	Dim.	Base	Type number
20	150	2200	20x117	SFa12-11	SAX 150 S

Lamps for special purposes

Short arc xenon

For scientific - audiovisual - medical application

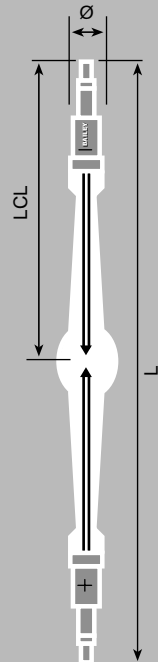
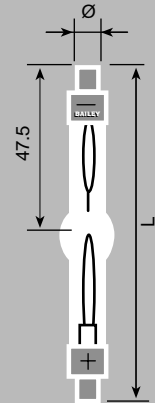
Volt	Watt	Lumen	LCL	Dim.	Type number
13	250	4800	93	25x226	SFa16-10 SAX 250 OFR
17	450	13000	95,5	29x260	SFa20-10 SAX 450
17	500	14500	75	35x190	SFa15-10 SAX 500 H OFR
19	900	30000	123	40x325	SFa25-12 SAX 900 OFR
24	1600	60000	143,5	52x370	SFa27-12 SAX 1600 OFR

Meaning of abbreviations

H = horizontal

OFR = ozone free

S = short version

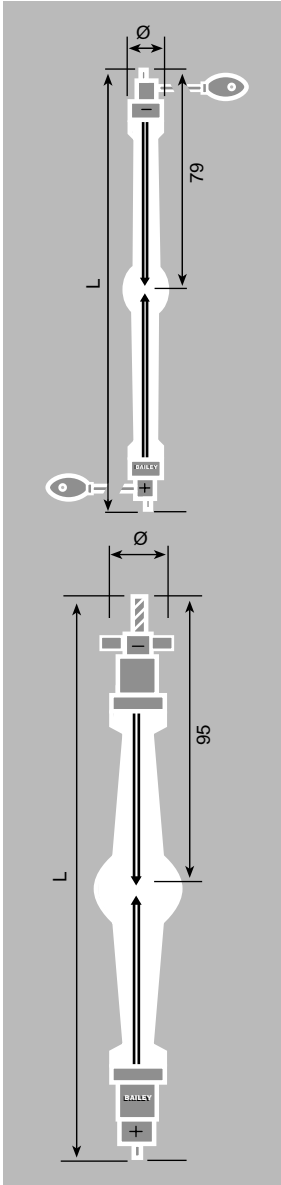


Other specifications on request.

Lamps for special purposes

Short arc xenon

For scientific - audiovisual - medical application



Volt	Watt	Lumen	Dim.	Base	Type number
------	------	-------	------	------	-------------

17	450	13000	29x177	SK19/36	SAX 450 2 OFR
----	-----	-------	--------	---------	----------------------

Lamps for special purposes

Short arc xenon

For scientific - audiovisual - medical application

Volt	Watt	Lumen	Dim.	Base	Type number
------	------	-------	------	------	-------------

18	700	20000	40x235	-SFeX27-8 +SFa27-11	SAX 700 H S OFR
----	-----	-------	--------	------------------------	------------------------

19	1000	32000	40x235	-SFeX27-8 +SFa27-11	SAX 1000 H S OFR
----	------	-------	--------	------------------------	-------------------------

23	1550	60000	47x235	-SFeX27-8 +SFa27-11	SAX 1600 H S OFR
----	------	-------	--------	------------------------	-------------------------

Meaning of abbreviations
 H = horizontal
 OFR = ozone free
 S = short version

Other specifications on request.

Lamps for special purposes

Short arc xenon

For scientific - audiovisual - medical application

Volt	Watt	Lumen	Dim.	Base	Type number
18	700	20000	40x236	-SFcX27-8 +SK27/50	SAX 700 H S C OFR
19	1000	32000	40x236	-SFcX27-8 +SK27/50	SAX 1000 H S C OFR

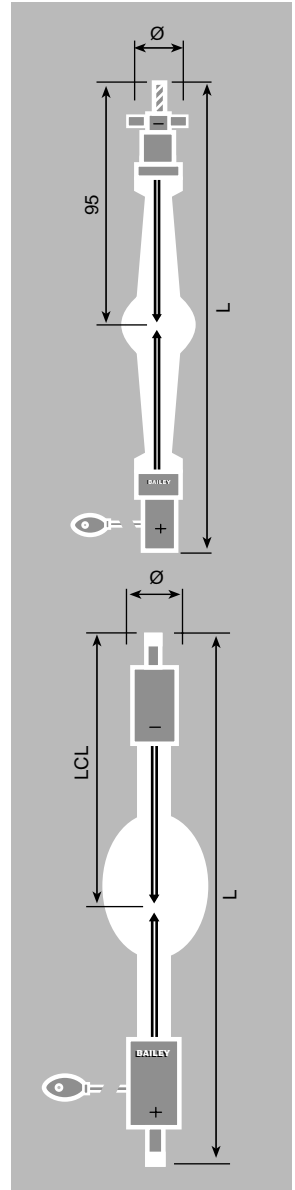
Lamps for special purposes

Short arc xenon

For scientific - audiovisual - medical application

Volt	Watt	Lumen	LCL	Dim.	Base	Type number
24	2000	8000	145	60x342	-SFa27-7,9 +SFaX27-9,5	SAX 2000 H S OFR
28	2500	100000	145	60x342	-SFa27-7,9 +SFaX27-9,5	SAX 2500 H S OFR
29	3000	130000	145	60x342	-SFa27-7,9 +SFaX27-9,5	SAX 3000 H S OFR
29	4000	155000	171	70x410	-SFa30-7,9 +SFaX30-9,5	SAX 4000 H S OFR
41	6880	350000	171	78x433	-SFa30-8 +SFaX30-9,5	SAX 7000 H S OFR

Meaning of abbreviations
 C = cable
 H = horizontal
 OFR = ozone free
 S = short version



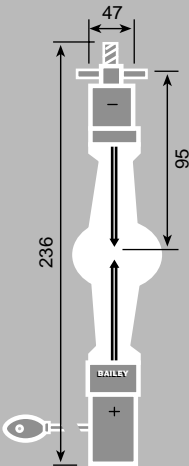
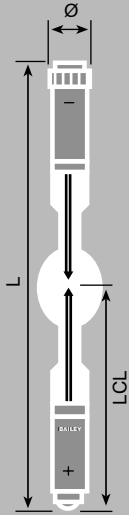
Other specifications on request.



Lamps for special purposes

Short arc xenon

For scientific - audiovisual - medical application



Volt	Watt	Lumen	LCL	Dim.	Base	Type number
21	1000	35000	123	46x330	-SFa25-14 +SFc25-14	SAX 1000 H TP OFR
29	3000	130000	162	66x405	-SFa27-14 +SFc27-14	SAX 3000 H TP OFR
30	4000	155000	167,5	70x433	-SFa27-14 +SFc27-14	SAX 4000 H TP OFR

Lamps for special purposes

Short arc xenon

For scientific - audiovisual - medical application

Volt	Watt	Lumen	Dim.	Base	Type number
23	1550	60000	47x236	-SFcX27-8 +SK27/50	SAX 1600 H S C OFR

- Meaning of abbreviations
- C = cable
 - H = horizontal
 - OFR = ozone free
 - S = short version
 - TP = base with threaded pin

Other specifications on request.

Lamps for special purposes

Short arc xenon

For scientific - audiovisual - medical application

Volt	Watt	Lumen	LCL	Dim.	Base	Type number
27	2000	80000	142,5	60x370	-SFaX27-12 +SFaX27-10	SAX 2000 H OFR
29	3000	130000	167,5	66x428	-SFaX27-14 +SFaX27-13	SAX 3000 H OFR

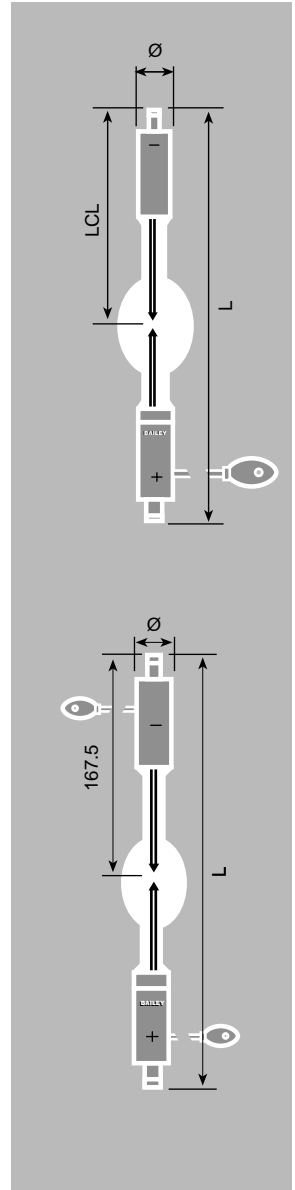
Lamps for special purposes

Short arc xenon

For scientific - audiovisual - medical application

Volt	Watt	Lumen	Dim.	Base	Type number
29	2500	100000	60x428	-SFaX27-14 +SFaX27-13	SAX 2500 OFR
29	4200	190000	70x428	-SFaX27-14 +SFaX27-13	SAX 4200 CA OFR

Meaning of abbreviations
 CA = cable on anode base
 H = horizontal
 OFR = ozone free



Other specifications on request.

Lamps for special purposes

Short arc xenon

For scientific - audiovisual - medical application

Volt	Watt	Lumen	LCL	Dim.	Base	Type number
32	4000	180000	176	60x432	-SFa30-20 +SFa30-18	SAX 4000
40	6500	325000	200	60x483	-SFa30-22 +SFa30-20	SAX 6500

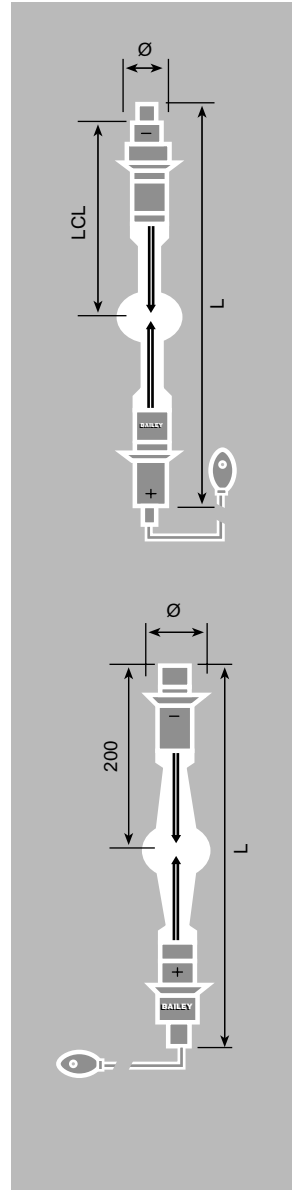
Lamps for special purposes

Short arc xenon

For scientific - audiovisual - medical application

Volt	Watt	Lumen	Dim.	Base	Type number
59	10000	500000	78x483	-SFa30-22 +SK30-20	SAX 10000 C OFR

Meaning of abbreviations
 C = cable
 OFR = ozone free

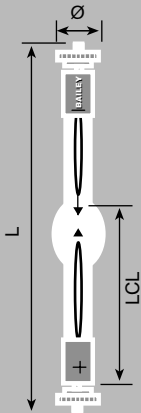
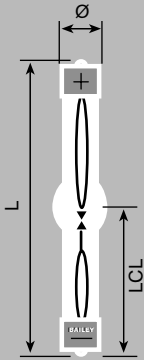


Other specifications on request.

Lamps for special purposes

Short arc mercury

For scientific - audiovisual - medical application



Watt	Volt	Lumen	LCL	Dim.	Life	Base	Type number
------	------	-------	-----	------	------	------	-------------

50	23	DC	1300	22	9,5x53	200	-SFa8-2 +SFa6-2	SAM 503
50	34-39AC		2000	22	9,5x53	100	-SFa6-2 +SFa6-2	SAM 50 AC L2
50	39-45AC		2000	22	9,5x53	100	-SFa6-2 +SFa6-2	SAM 50 AC L1
100	23	DC	2200	43	10x90	200	-SFa7,5-2 +SFa9-2	SAM 1002
100	23		3000	43	10x90	300	-SFa7,5-2 +SFa9-2	SAM 1032

Lamps for special purposes

Short arc mercury

For scientific - audiovisual - medical application

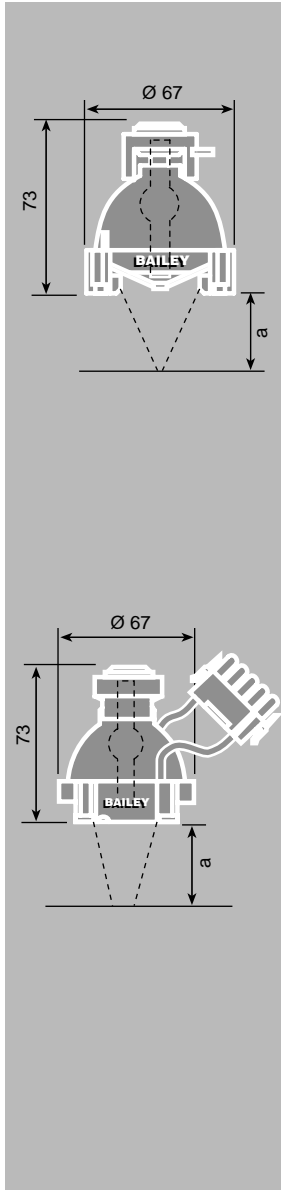
Watt	Volt	Lumen	LCL	Dim.	Life	Base	Type number
------	------	-------	-----	------	------	------	-------------

200	57	DC	10000	40	17x128	1000	-SFc10/4 +SFc10/4	SAM 200 D
200	61ACDC		10000	40	17x128	200	-SFc10/4 +SFc10/4	SAM 2002 L1
200	61	DC	9500	40	17x128	200	-SFc10/4 +SFc10/4	SAM 2004
200	65ACDC		10000	40	17x128	200	-SFc10/4 +SFc10/4	SAM 2002 L2
350	60-75DC		19500	45	20x128	400	-SFcY10/4	SAM 350

Lamps for special purposes

Metal halide

Retro projection



Volt	Watt	K	Life	Type number	
------	------	---	------	-------------	--

45	270	5600	250	a=22	HTI 250.22
45	270	5600	250	a=32	HTI 250.32

Lamps for special purposes

Metal halide

Retro projection with cable

Volt	Watt	K	Life	Type number	
------	------	---	------	-------------	--

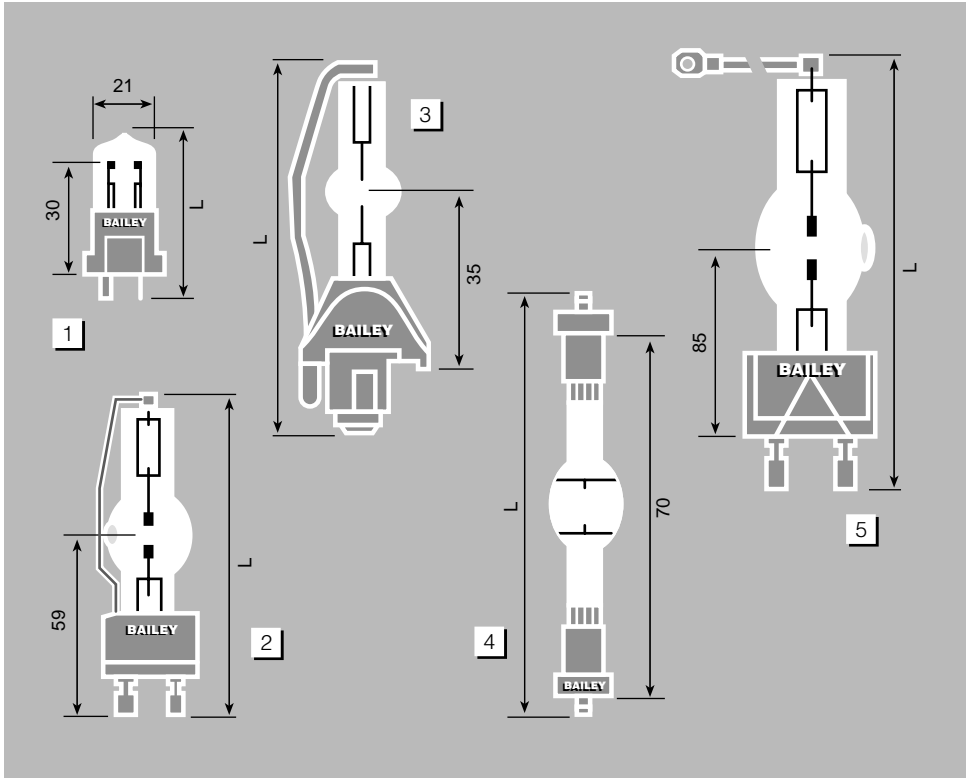
45	270	5600	250	a=22	HTI 250.22 C
45	270	5600	250	a=32	HTI 250.32 C
55	400	5600	750	a=24	HTI 403.24

Other specifications on request.

Lamps for special purposes

Metal halide

For retro projection - audiovisual - medical application



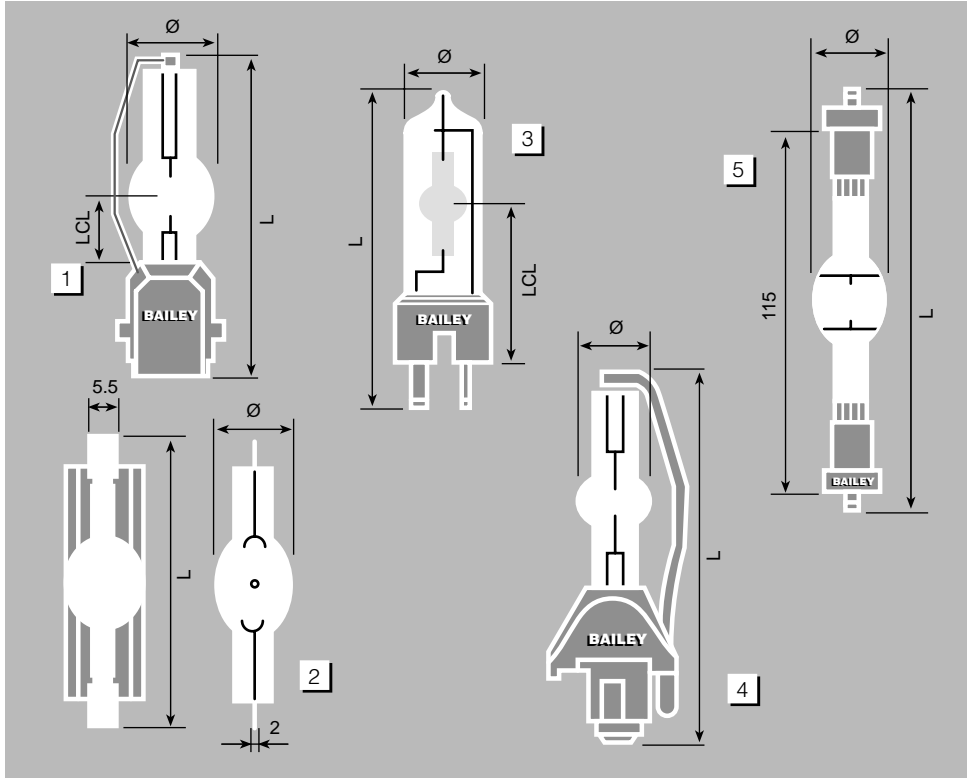
Watt	Volt	Lumen	Base	K	L	Life	Fig. no	Type number
150	90	10000	GY9,5	6900	46	750	1	HTI 150
270	45	16000	FaX1,5	4900	80	250	3	HTI 250 SE
300	100	22000	SFC10-4	6500	92	750	4	HTI 300 DX
400	55	28000	FaX1,5	4800	84	250	3	HTI 400 SE
600	95	48000	FaX1,5	5300	84	300	3	HTI 600 SE
1200	100	99000	Gy22	6000	135	600	2	HTI 1200 SE
2500	115	240000	G22	6000	180	600	5	HTI 2500 SE

Other specifications on request.

Lamps for special purposes

Metal halide

For taking photographs and solar simulation



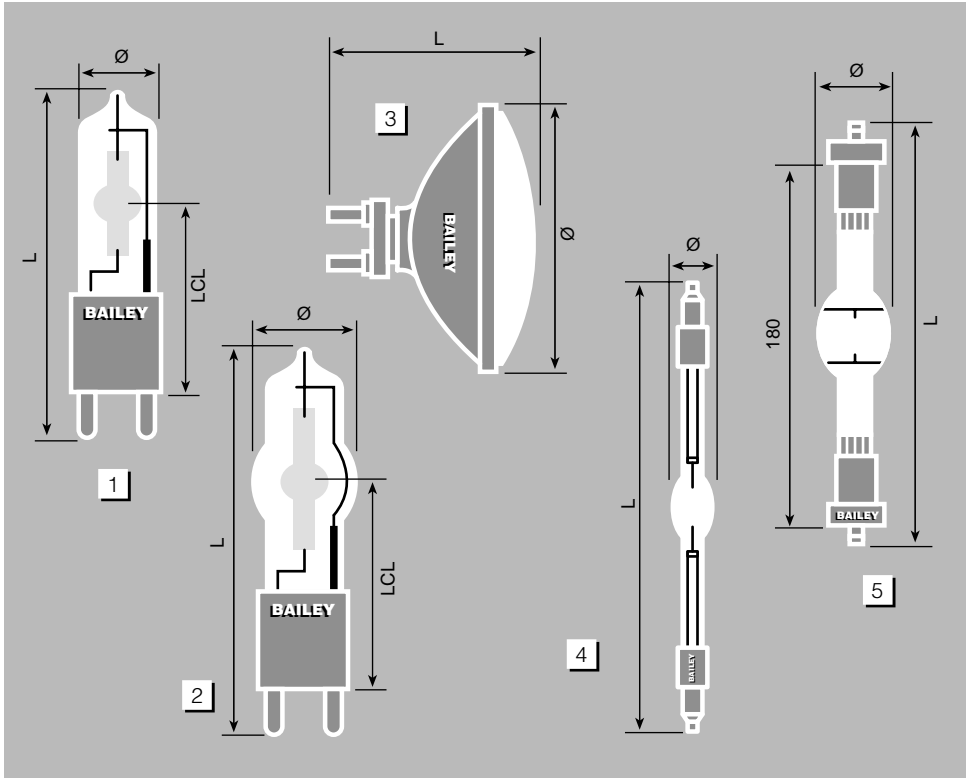
Watt	Volt	Lumen	LCL	Longarc	K	Dim.	Life	Fig. no	Type number
125	80	8500	27,7	4	6000	20x65	150	1	HMI 123
200	80	16000		10	6000	14x60	300	2	HMI 200
200	70	16000	39	5 MSR200	6000	20x80	200	3	HMI 200 SE
270	50	16200		5	6000	12,2x84	250	4	HMI 250 SE
400	67	33000	60	6 MSR400	6000	20x110	650	3	HMI 400 SE
575	95	49000		7	6000	21x135	750	5	HMI 575 GS

Other specifications on request.

Lamps for special purposes

Metal halide

For taking photographs and solar simulation



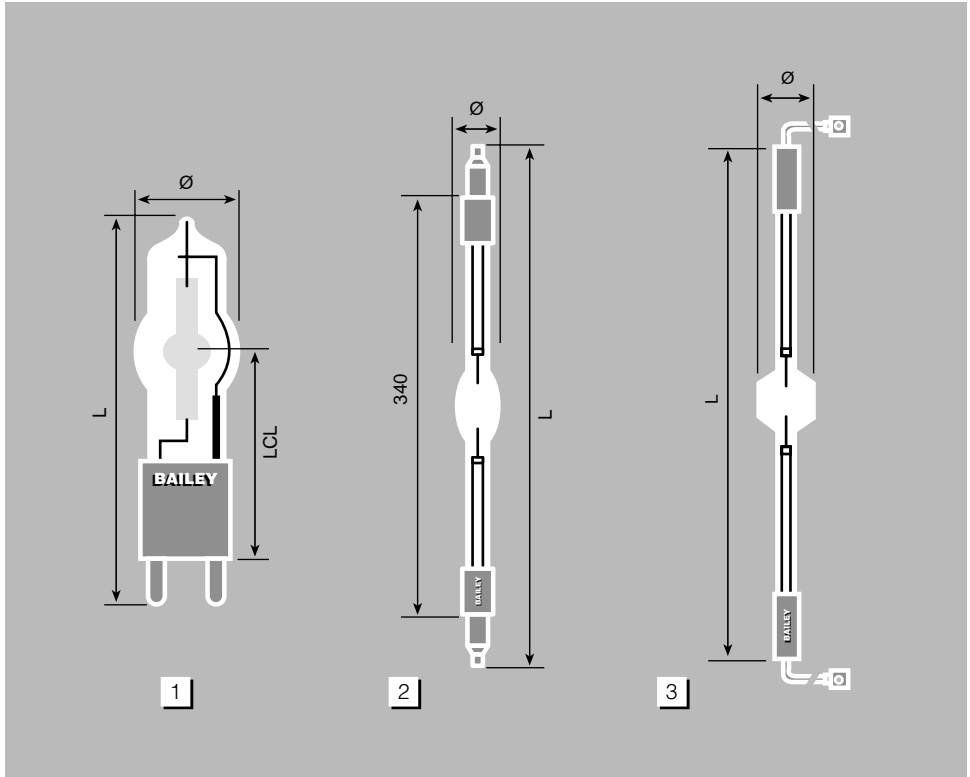
Watt	Volt	Lumen	LCL	Longarc	K	Dim.	Life	Fig. no	Type number
575	95	49000	70	7	6000	30x145	750	1	HMI 575 SE
1200	100	110000	107	10	6000	42x189	750	1	HMI 1200 SE
1200	100			10	6000	176x206	1000	3	HMI 1200 PAR
1200	100	110000		10	6000	27x220	750	5	HMI 1200 GS
2500	115	240000	127	14	6000	60x225	500	2	HMI 2500 SE
2500	115	240000		14	6000	31,5x210	500	4	HMI 2500 S
2500	115	240000		14	6000	30x355	500	4	HMI 2500 GS

Other specifications on request.

Lamps for special purposes

Metal halide

For taking photographs and solar simulation



Watt	Volt	Lumen	Longarc	K	Dim.	Life	Fig. no	Base	Type number
4000	200	380000	20	6000	75x250	500	1	G38	HMI 4000 SE
4000	200	380000	34	6000	38x405	500	2	SFa21	HMI 4000
6000	123	570000	20	6000	55x450	500	3	S25,5	HMI 6000
12000	160	1150000	25	6000	65x470	500	3	S30	HMI 12000 GS
12000	224	1150000	35	6000	65x470	500	3	S25,5	HMI 12000
18000	225	1700000	44	6000	75x500	250	3	S30	HMI 18000

Other specifications on request.

Lamps for special purposes

UV Graphic Theimer

For insolation on offset plate (end=0) and daylight films (end=7)

Volt	Watt	Dim.	Eq.	Eq.	Type number
120	1000	25x131	MO24-1	Q1148Z1	TH 1000
120	1000	25x136		Q1143/18Z1	TH 1010
120	1000	25x131	MO59	Q1148Z4	TH 1007
135	1200	28x157	HPM13	Q2428Z11	TH 2120
240	2000	32x215	HPM15 MO38	Q2137Z11	TH 2030
220	2000	28x136	MO25	Q2128Z1	TH 3000
220	2000	28x136	MO58	Q2128Z4	TH 3007
400	3000	25x190	MO41	Q3148Z1	TH 3020
400	3000	25x190		Q3148Z4	TH 3027
400	4000	28x190	MO26	Q4128Z1	TH 5000
400	4000	28x190	MO57	Q4128Z4	TH 5007
400	5000	28x248	MO60	Q6138Z1	TH 5020
400	5000	28x248	MO69	Q6138Z4	TH 5027

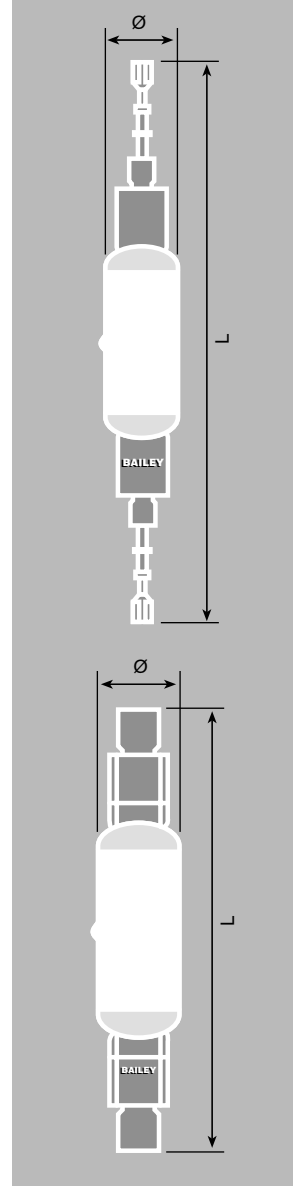
Also available from Theimer KX and TQ types

Lamps for special purposes

UV Graphic Theimer

For insolation on offset plate

Volt	Watt	Dim.	Eq.	Eq.	Type number
200	2000	25x180	MO12/MO44	Q2842Z1	TH 2000
200	2000	25x180	MO63	Q2842	TH 2008
350	3000	25x237	MO48	Q3849Z1	TH 2010
220	5000	25x281	MO64	Q5846	TH 5018
220	5000	25x281	HPM25 MO45	Q5846Z1	TH 5010

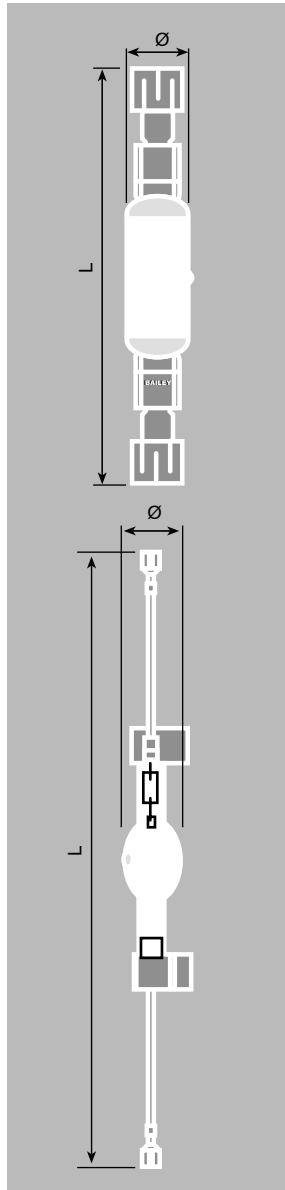


Other specifications on request.

Lamps for special purposes

UV Graphic Theimer

For insolation on offset plate



Volt	Watt	Dim.	Eq.	Eq.	Type number
------	------	------	-----	-----	-------------

275	3500	28x230	MO23	Q5527Z1	TH 4000
275	3500	28x230	MO61	Q5527Z4	TH 4007

Also available from Theimer KX and TQ types

Lamps for special purposes

UV Graphic Theimer

For insolation on offset plate (end=0) and daylight films (end=7)

Volt	Watt	Dim.	Eq.	Eq.	Type number
------	------	------	-----	-----	-------------

80	400	16x126			THS 0417
120	1000	30x124		Q1154Z1	THS 1000
120	1000	30x124	MO59/2	Q1154Z4	THS 1007
400	3000	25x190		Q3147Z1	THS 3020
400	3000	25x190		Q3147Z4	THS 3027
220	2000	28x130		Q2120Z1	THS 3000
220	2000	28x130	MO58/2	Q2120Z4	THS 3007
400	4000	28x190		Q4129Z1	THS 5000
400	4000	28x190		Q4129Z4	THS 5007

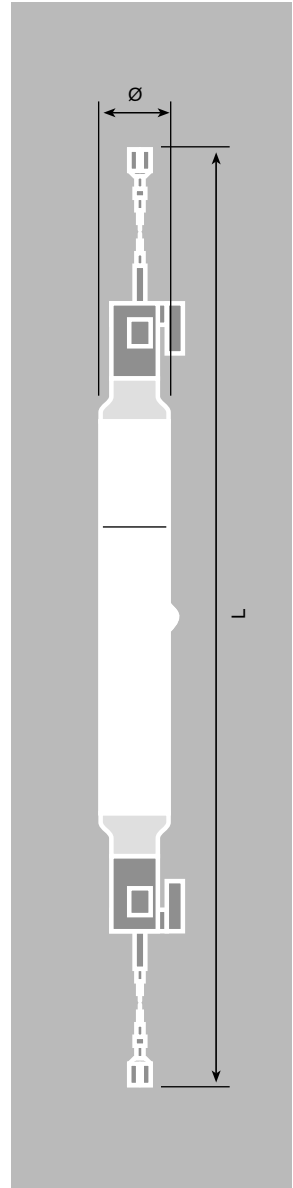
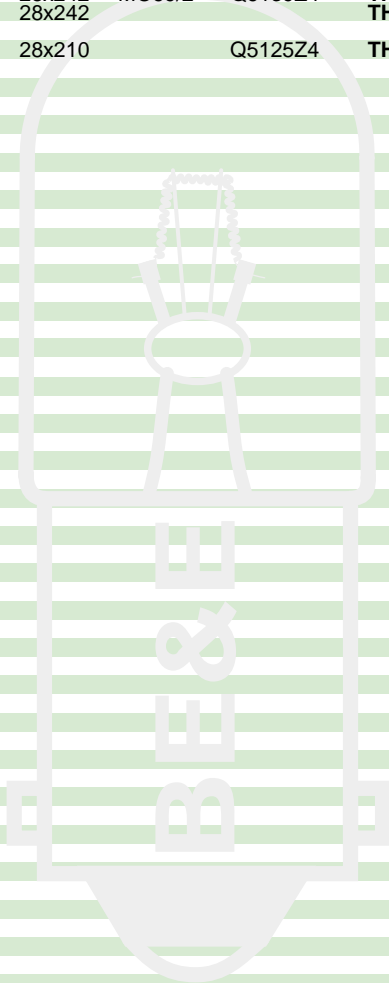
Other specifications on request.

Lamps for special purposes

UV Graphic Theimer

For insolation on offset plate (end=0) and daylight films (end=7)

Volt	Watt	Dim.	Eq.	Eq.	Type number
400	5000	28x242	MO60/2	Q6139Z1	THS 5020
400	5000	28x242			THS 5060
400	5000	28x242	MO69/2	Q6139Z4	THS 5027
400	5000	28x242			THS 5067
520	5800	28x210		Q5125Z4	THS 8027

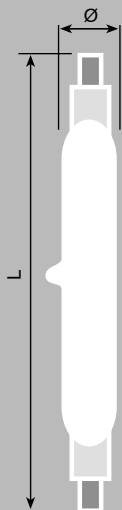
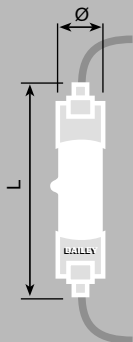


Other specifications on request.

Lamps for special purposes

Graphic UV lamps

High pressure metal halide



Volt	Watt	Dim.	Base	Type number
120	460	22x100	C14X/315	UV HPM 12
135	1000	28x149	C14X/300	UV HPM 13
240	2000*	33x205	C14X/300	UV HPM 15
220	2000*	28x177	C14X/300	UB HPM 17

* operate from 1000 to 4000W

Lamps for special purposes

Graphic UV lamps

High pressure metal halide

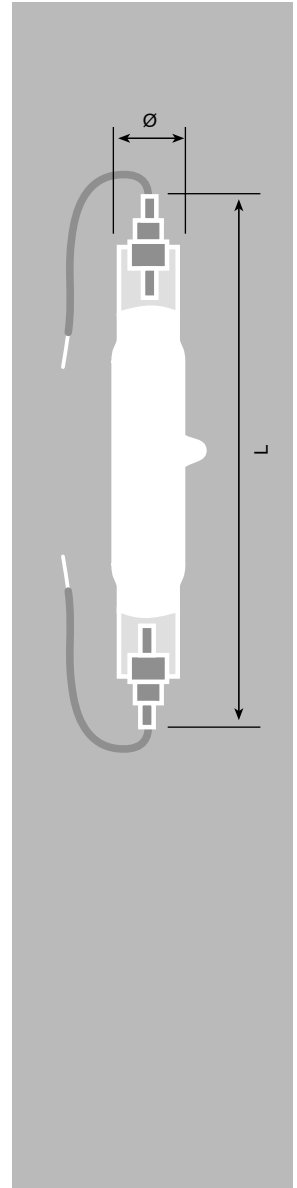
Volt	Watt	Dim.	Base	Type number
350	3000	28x238	B9,5	UV HPM 20 B

Lamps for special purposes

Graphic UV lamps

Medium pressure metal halide

Volt	Watt	Dim.	Base	Cable length	Type number
120	820	21X127	THS-L	360/100T	UV HPA 419 R
120	1100	28x131	C10.5L	100T	UV HPA 1000.20
125	1180	28x149	C14X	195	UVHPA 1200 R
130	1150	25x139	C10.5L	100T	UV HPA 1001 R
130	1150	25x135	THS-L	100T	UV HPA 1009 R
230	1880	28x135	C10.5S	110T	UV HPA 2010 R
230	1880	28x136	THS-S	110T	UV HPA 2018 R
440	3000	28x193	C10.5S	110T	UV HPA 3000 P
440	3000	28x193	THS-S	110T	UV HPA 3008 R
440	3900	28x251	C10.5S	110T	UV HPA 4020 R
440	3900	28x245	THS-S	200T	UV HPA 4048 R

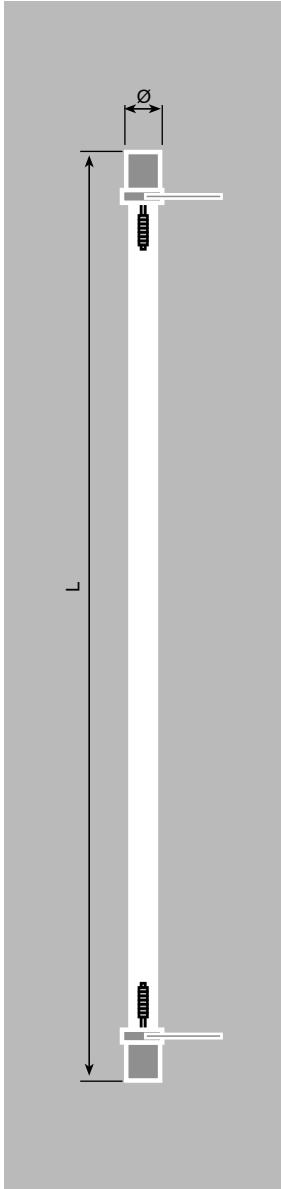


Other specifications on request.

Lamps for special purposes

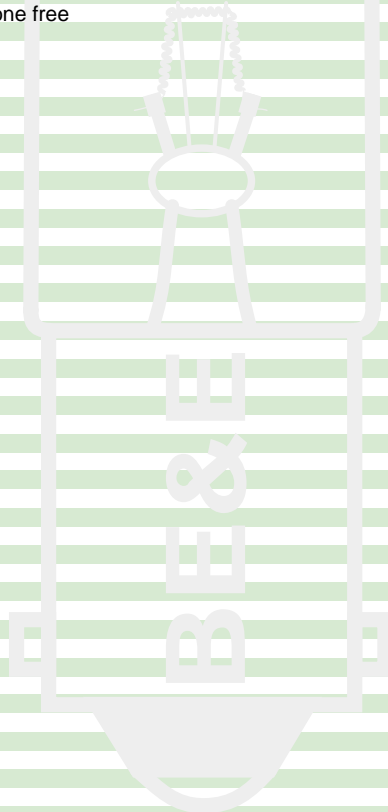
Graphic UV lamps

Xenon pulse lamp for reprography 5600°K colour temp. 100-120Hz



Volt	Watt	Dim.	Base	Type number
52	650	14,7x241	CAP15,8/cable	UV XOP 07 OF
105	1000	14,7x395	CAP15,8/cable	UV XOP 15 OF
115	1100	14,7x540	CAP15,8/cable	UV XOP 25 OF
210	3000	14,7x698	CAP15,8/cable	UV XOP 30 OF
285	4000	14,7x1085	CAP15,8/cable	UV XOP 50 OF

OF = ozone free



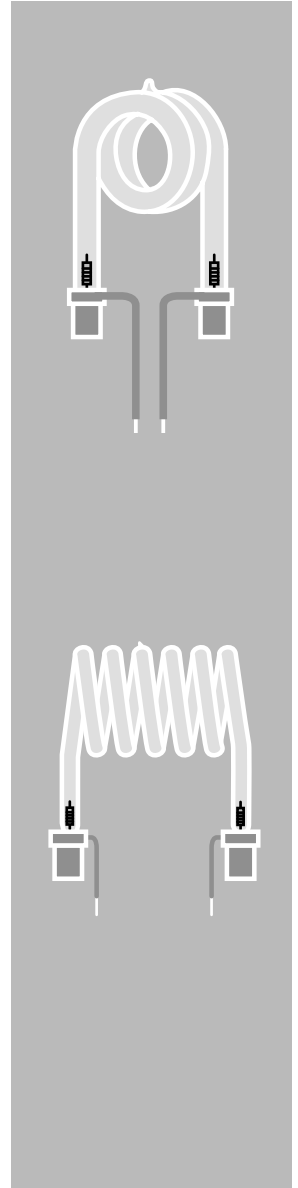
Other specifications on request.

Lamps for special purposes

Graphic UV lamps

Xenon pulse lamps for reprography 5600°K colour temp. 100-120 Hz

Volt	Watt	Dim.	Base	Type number
210	4000	55x118	CAP15,8/cable	UV XOP 40 OF



Lamps for special purposes

Graphic UV lamps

Xenon pulse lamps for reprography 5600°K
colour temp. 100-120 Hz

Volt	Watt	Dim.	Base	Type number
420	8000	55x118	CAP15,8/cable	UV XOP 80 OF

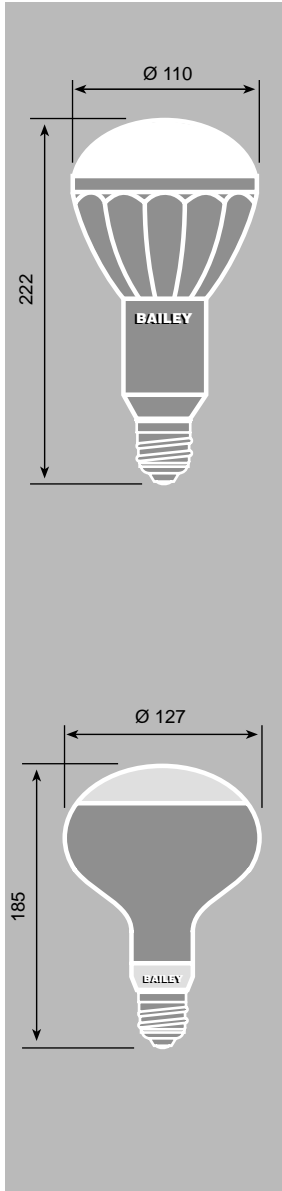
OF = ozone free

Other specifications on request.

Lamps for special purposes

UV Graphic lamps E27

Mercury vapour with internal reflector used in copying processes insolation



Volt	Watt	Type number
------	------	-------------

120	125	UV HPR 125
-----	-----	------------

Lamps for special purposes

UV Discharge lamp E27

For medical - industrial polymerisation

Volt	Watt	Finish	Type number
------	------	--------	-------------

230	300	frosted	UV 27.230.300 F
-----	-----	---------	-----------------

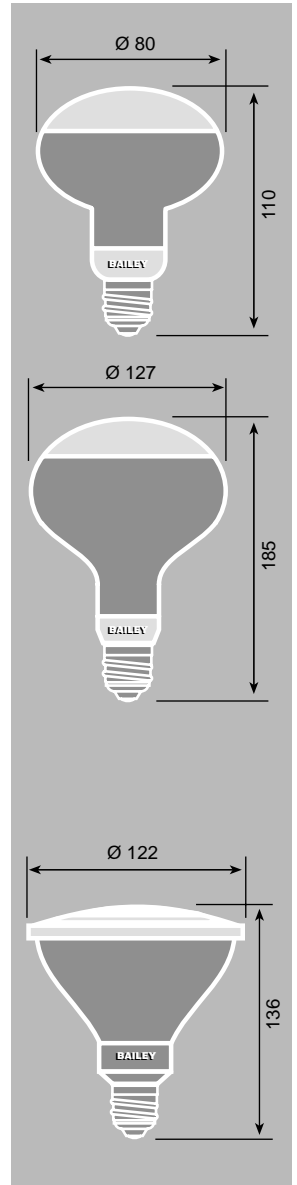
Other specifications on request.

Lamps for special purposes

Infra red reflector E27

500-3000 NM for heating - drying - polymerisation - vulcanisation

Volt	Watt	Colour	Type number
220-240	100	frosted	RI 7080.240.100 F
220-240	150	red	RI 7127.240.150 R
220-240	250	clear	RI 7127.240.250
220-240	250	frosted	RI 7127.240.250 F
220-240	250	red	RI 7127.240.250 R
220-240	375	clear	RI 7127.240.375



Lamps for special purposes

Infra red PAR lamps E27

For heating - drying - polymerisation - vulcanisation

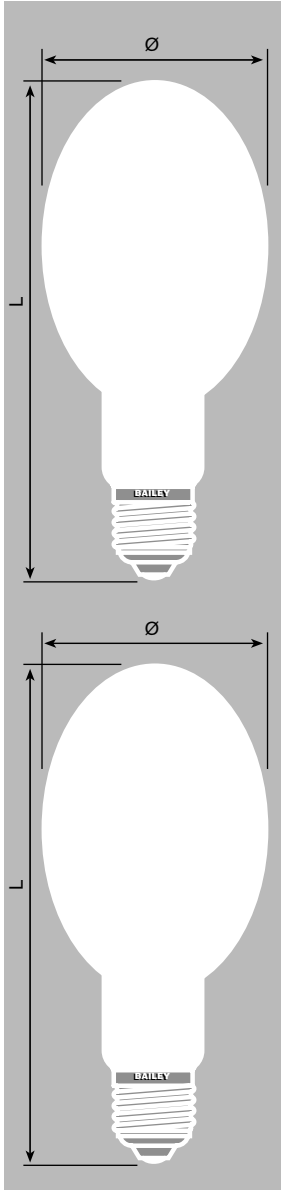
Volt	Watt	Colour	Type number
220-240	100	red	RP38E 240.100 IR
220-240	150	red	RP38E 240.150 IR
220-240	175	red	RP38E 240.175 IR

Other specifications on request.

High intensity discharge lamps

High pressure mercury

Ellipsical shape opal powder



Volt	Watt	Lum.	Dim.	Base	Type number
240	50	1575	66x140	E27	HPML.72.0050 W
240	80	2940	71X165	E27	HPML.72.0080 W
240	125	4990	81X164	E27	HPML.72.0125 W
240	175	7350	91X215	E40	HPML.42.0175 W
240	250	11025	91X227	E40	HPML.42.0250 W
240	400	21000	122X292	E40	HPML.42.0400 W
240	1000	52500	182X400	E40	HPML.42.1000 W

High intensity discharge lamps

Blended light lamps

Ellipsical shape opal powder

Volt	Watt	Lum.	Dim.	Base	Type number
240	160	2560	81x164	E27	HPBL.72.0160 W
240	240	4900	91X227	E40	HPBL.42.0240 W
240	450	11000	122X292	E40	HPBL.42.0450 W

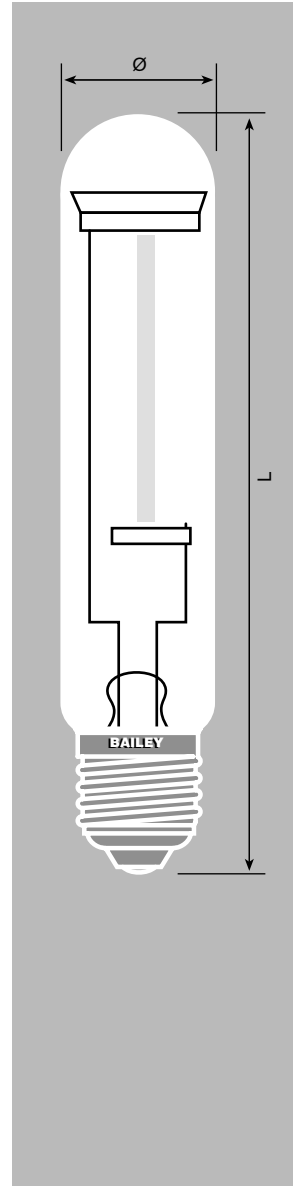
Other specifications on request.

High intensity discharge lamps

High pressure sodium

Tubular shape ignitor required

Volt	Watt	Lum.	Life	Dim.	Base	Type number
240	35	2250	16000	37.5x150	E27	HPSL.72.0035
240	50	3600	18000	37.5x150	E27	HPSL.72.0050
240	70	6000	18000	37.5x150	E27	HPSL.72.0070
240	100	8500	18000	37.5x150	E27	HPSL.72.0100
240	110	100000	16000	37.5x180	E27	HPSL.72.0110
240	150	16000	24000	46x205	E40	HPSL.42.0150
240	215	23000	24000	46x252	E40	HPSL.42.0215
240	250	28000	24000	46x252	E40	HPSL.42.0250
240	360	40000	24000	46x280	E40	HPSL.42.0360
240	400	48000	24000	46x280	E40	HPSL.42.0400
240	1000	130000	24000	65X375	E40	HPSL.42.1000
380	1000	120000	160000	65X375	E40	HPSL.43.1000

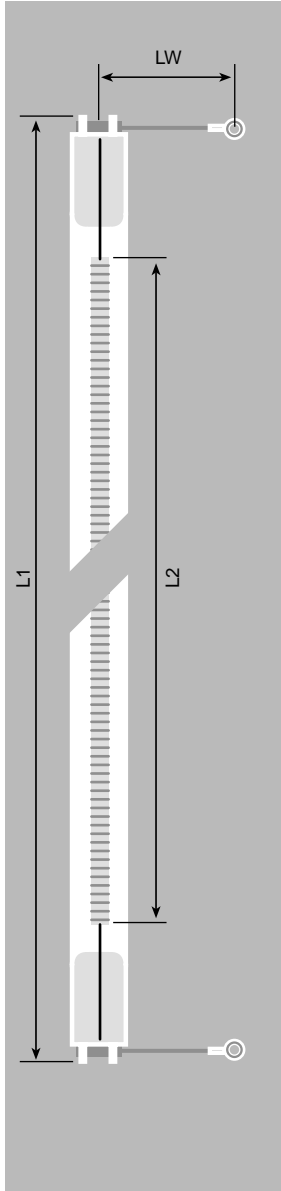


Other specifications on request.

Lamps for special purposes

Infra red quartz lamps

For heating C-type = lead wire no metal sleeve



Volt	Watt	Life	Col. Temp.	L1	L2	LW	Type number
------	------	------	------------	----	----	----	-------------

120	300	5000	2450K	217	107	145	IR 120.300 C
120	375	5000	2500K	223	127	145	IR 120.375 C
120	500	5000	2500K	223	127	145	IR 120.500 C
120	800	5000	2500K	303	203	145	IR 120.800 C
208	1000	5000	2500K	350	254	145	IR 208.1000 C
208	1600	5000	2400K	503	406	145	IR 208.1600 C
277	1600	5000	2500K	503	406	145	IR 277.1600 C
240	2000	5000	2500K	303	248	145	IR 240.2000 C
480	6000	1500	3150K	300	248	44	IR 480.6000 C

Meaning of abbreviations
 Sleeve type: R=ruby, G= grey, C=clear
 Reflector: Z=white coating, Y=black coating
 Burning direction: V=vertical

Other specifications on request.

Lamps for special purposes

Infra red quartz lamps

For heating S-type = metal sleeve with lead wire

Volt	Watt	Life	Col. Temp.	L1	L2	LW	Type number
------	------	------	------------	----	----	----	-------------

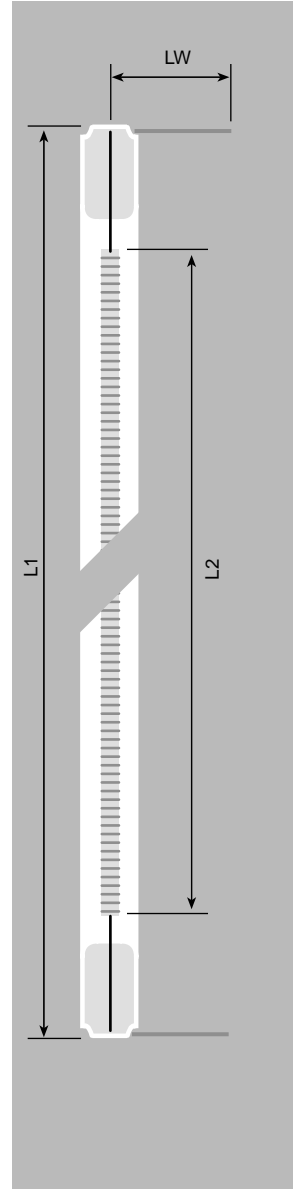
120	500	5000	2500K	223	127	143	IR 120.500 S
120	500	5000	2500K	216	140	143	IR 120.500 S2
230	1000	5000	2500K	350	254	143	IR 240.1000 S
230	1000	5000	2500K	303	245	143	IR 240.1000 S2
144	1200	5000	2500K	223	158	143	IR 144.1200 S
230	1600	5000	2500K	503	406	143	IR 230.1600 S
230	2000	5000	2500K	350	254	143	IR 230.2000 S
240	2000	5000	2500K	353	280	143	IR 240.2000 VS
480	2500	3000	2500K	732	635	143	IR 480.2500 S
570	3800	3000	2500K	1062	965	143	IR 570.3800 S
104	600	6000	2500K	303	157	145+	IH 104.600 S
240	1600	5000	2500K	503	407	145+	IH 240.1600 S
240	2000	5000	2500K	603	508	145+	IH 240.2000 S
480	2500	5000	2500K	732	635	145+	IH 480.2500 S
480	2500	5000	2500K	732	640	145+	IH 480.2500 VS
420	3800	3000	3800K	1062	965	145+	IR 420.3800 S

Meaning of abbreviations

Sleeve type: R=ruby, G= grey, C=clear

Reflector: Z=white coating, Y=black coating

Burning direction: V=vertical

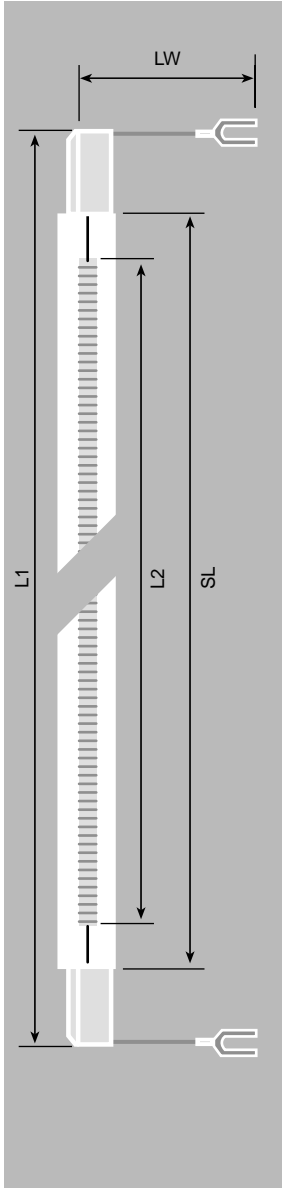


Other specifications on request.

Lamps for special purposes

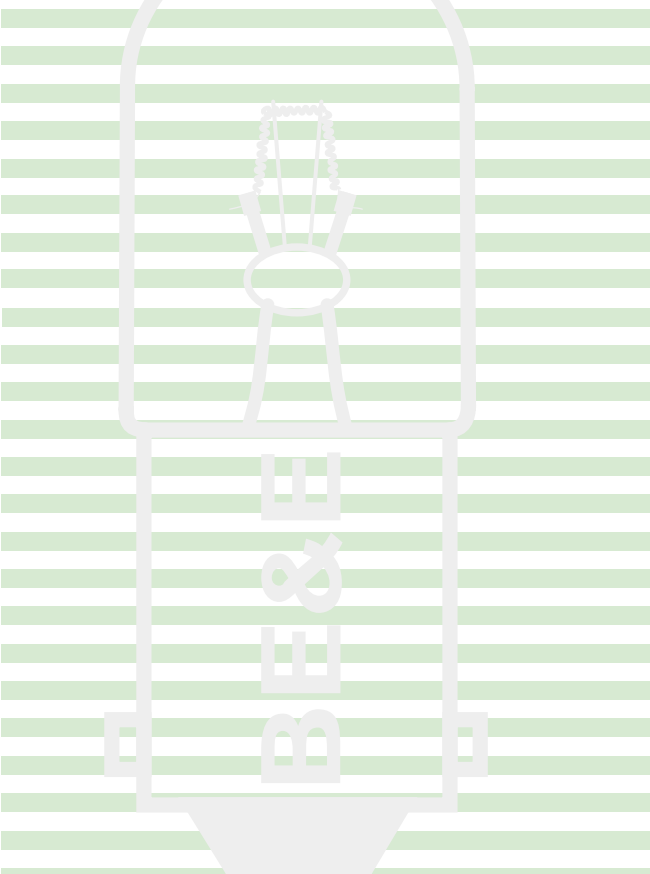
Infra red quartz lamps

For heating life: 7.000 hours DD-type = flat ceramic base with lead wire



Volt	Watt	Col. Temp.	L1	L2	LW	SL	Type number
------	------	------------	----	----	----	----	-------------

240	500	2500K	227	162	230	176	IR 240.500 CD
240	1000	2450K	357	280	230	306	IR 240.1000 RD
240	1500	2450K	357	280	230	306	IR 240.1500 GD
240	1500	2450K	357	280	230	306	IR 240.1500 RD
240	2000	2450K	357	280	230	306	IR 240.2000 RD
240	2600	2450K	583	500	400	533	IR 240.2600 RD



Meaning of abbreviations
 Sleeve type: R=ruby, G= grey, C=clear
 Reflector: Z=white coating, Y=black coating
 Burning direction: V=vertical

Other specifications on request.

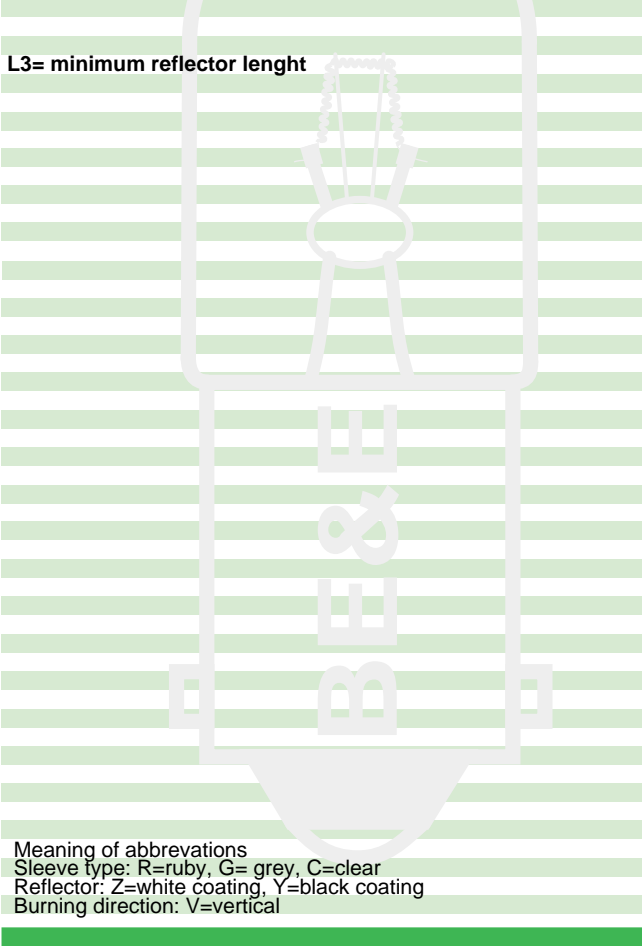
Lamps for special purposes

Infra red quartz lamps

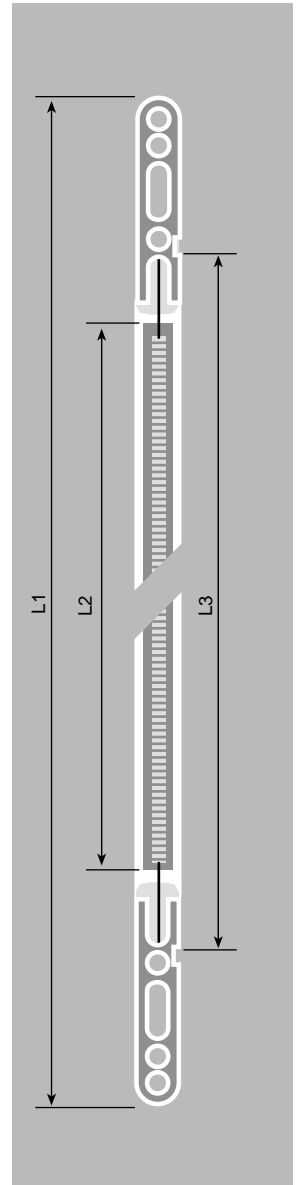
For heating life: 5.000 hours B-type = metal clip base

Volt	Watt	Col. Temp.	L1	L2	L3	Type number
120	500	2500K	246	140		IR 120.500 B
120	500	2500K	246	140	160	IR 120.500 ZB
240	1000	2500K	373	275		IR 240.1000 B
240	1000	2500K	373	275		IR 240.1000 VB
240	1000	2500K	373	275	282	IR 240.1000 ZB
240	1000	2500K	373	275	282	IR 240.1000 VZB
240	2000	2500K	373	280		IR 240.2000 B
240	2000	2500K	373	280		IR 240.2000 VB

L3= minimum reflector length



Meaning of abbreviations
 Sleeve type: R=ruby, G= grey, C=clear
 Reflector: Z=white coating, Y=black coating
 Burning direction: V=vertical

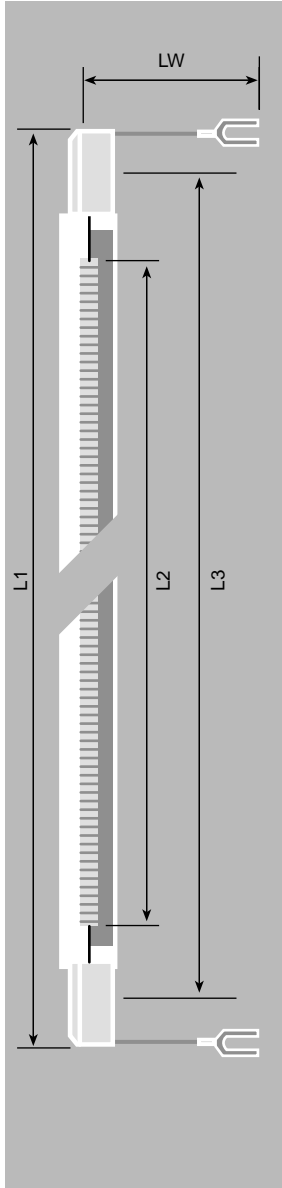


Other specifications on request.

Lamps for special purposes

Infra red quartz lamps

For heating life: 5.000 hours D-type = flat ceramic base with lead wire



Volt	Watt	Col. Temp.	L1	L2	LW	L3	Type
240	500	2600K	227	162	200		IR 240.500 D
240	500	2600K	227	162	200	164	IR 240.500 ZD
240	500	2600K	227	162	200	164	IR 240.500 VZD
240	1000	2500K	357	272	200		IR 240.1000 D
240	1000	2500K	357	272	200	291	IR 240.1000 ZD
240	1000	2500K	357	272	200	291	IR 240.1000 VZD
240	1000	2500K	357	272	200	291	IR 240.1000 VYD
240	2000	2500K	357	280	200		IR 240.2000 D
240	1000	2500K	357	272	200		IR 240.1000 VD
240	2000	2500K	357	280	200		IR 240.2000 VD
240	2000	2500K	357	280	200	291	IR 240.2000 ZD
240	2000	2500K	357	280	200	291	IR 240.2000 VZD

L3= minimum reflector length

Meaning of abbreviations
 Sleeve type: R=ruby, G= grey, C=clear
 Reflector: Z=white coating, Y=black coating
 Burning direction: V=vertical

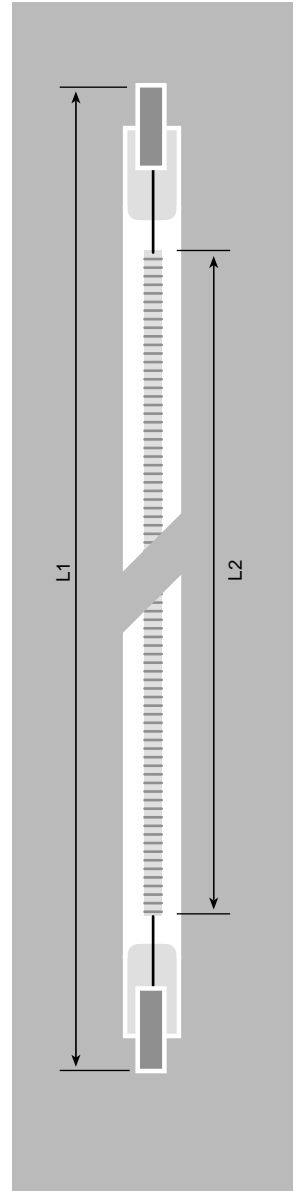
Other specifications on request.

Lamps for special purposes

Infra red quartz lamp

For heating E-type = R7s contact type

Volt	Watt	Life	Col. Temp.	L.	L2	Type number
240	300	1000	2400K	119	65	IR 240.300 E
120	375	5000	2500K	219	127	IR 120.375 E
120	500	5000	2500K	219	127	IR 120.500 E
240	1600	5000	2500K	499	406	IR 240.1600 E

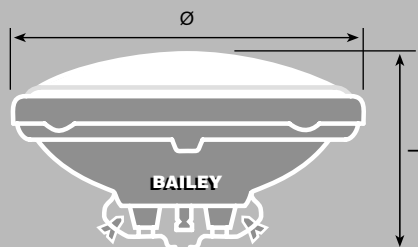


Other specifications on request.

Lamps for special purposes

PAR 36

Screw terminal base for general lighting 70x115



Volt	Watt	Description	Life	Type number
12	25	narrow spot	2000	RP36S 012.025 NS
12	25	wide flood	2000	RP36S 012.025 WF
12	25	very wide flood	2000	RP36S 012.025 VF
12	50	very narrow spot	2000	RP36S 012.050 VS
12	50	narrow spot	2000	RP36S 012.050 NS
12	50	wide flood	2000	RP36S 012.050 WF
12	50	very wide flood	2000	RP36S 012.050 VF

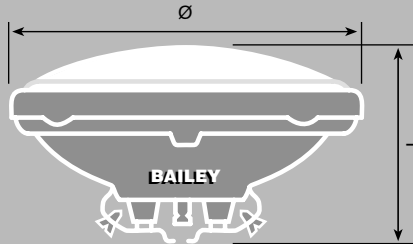


Other specifications on request.

Lamps for special purposes

PAR 36

Screw terminal base for special lighting 70x115



Volt	Watt	Description	Life	Type number
4,7	0,5A	hand lantern	100	RP36S 45.46
4,7	0,5A	hand lantern, trapezoidal	100	RP36S 45.12
4,75	1,25A	hand lantern	100	RP36S 45.47
6,0	8	emergency bldg. lighting	50	RP36S 76.13
6,0	100	aircraft navigation	300	RP36S 46.14
6,2	30	spotlamp	300	RP36S 45.16
6,2	30	tractor, trapezoidal	300	RP36S 45.11
6,4	12	emergency bldg. lighting	150	RP36S 40.42
6,4	18	emergency bldg. lighting	200	RP36S 40.14
6,4	25	tractor flood, emergency bldg.	300	RP36S 45.10
6,4	30	spotlamp	100	RP36S 45.15
12,0	12	emergency bldg. lighting	150	RP36S 40.44
12,8	18	warning signal, emergency bldg.	300	RP36S 44.14
12,8	18	turn signal, warning signal, yellow lens	300	RP36S 44.14 A
12,8	18	turn signal, warning signal, red lens	300	RP36S 44.14 R
12,8	18	signal, yellow lens	300	RP36S 74.14 Y
12,8	25	emergency bldg. lighting	300	RP36S 44.46
12,8	30	spotlight	100	RP36S 44.05
12,8	30	spotlight, signal	300	RP36S 44.16
12,8	30	signal, yellow lens cover	300	RP36S 44.16 A
12,8	30	signal, outside blue	300	RP36S 44.16 B
12,8	30	signal, red lens cover	300	RP36S 44.16 R
12,8	35	tractor, flood	300	RP36S 44.06
12,8	35	farm tractor	300	RP36S 44.09 X
12,8	35	reversing lamp, tractor flood	300	RP36S 44.10
12,8	35	tractor, trapezoidal	300	RP36S 44.11
12,8	35	tractor, 75° cone	300	RP36S 44.22
12,8	35	tractor, trapezoidal outside red coating on reflector	300	RP36S 46.03

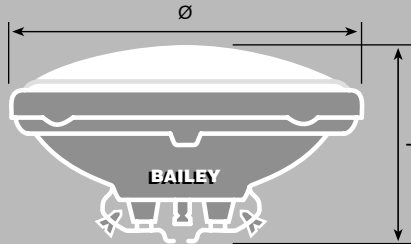
continue on page S 35

Other specifications on request.

Lamps for special purposes

PAR 36

Screw terminal base for special lighting 70x115



Volt	Watt	Description	Life	Type number
12,8	35	tractor, trapezoidal	300	RP36S 46.03 X
12,8	35	fog	300	RP36S 44.15
12,8	35	fog, yellow lens	300	RP36S 44.15 A
12,8	35	signal, rotating beacon	300	RP36S 74.00.1
12,8	60	tractor, trapezoidal	300	RP36S 44.61
12,8	60	signal, rotating beacon	300	RP36S 44.64
12,8	60	signal, rotating beacon, red lens	300	RP36S 44.64 R
12,8	60	tractor	300	RP36S 44.66
13,0	100	aircraft landing spotlight	25	RP36S 45.09
13,0	100	marine spotlight	25	RP36S 45.09 X
13,0	100	marine	25	RP36S 45.19
13,0	100	aircraft navigation	300	RP36S 45.95
13,0	250	aircraft landing	25	RP36S 43.13
28,0	50	C.I.M. signal	400	RP36S 44.02 A
28,0	50	auto headlamp military	400	RP36S 45.02
28,0	50	aircraft navigation	400	RP36S 45.05
28,0	50	aircraft cockpit, C.I.M. flood	400	RP36S 45.89
28,0	50	aircraft in-air refueling	400	RP36S 45.93
28,0	60	C.I.M. headlamp	800	RP36S 47.50
28,0	60	C.I.M. flood	800	RP36S 47.52
28,0	100	aircraft landing	25	RP36S 45.91
28,0	100	aircraft navigation	300	RP36S 45.94
28,0	100	aircraft flood	300	RP36S 46.27
28,0	150	aircraft taxiing	300	RP36S 46.26
28,0	250	aircraft taxiing	25	RP36S 45.87
28,0	250	aircraft landing	25	RP36S 45.96

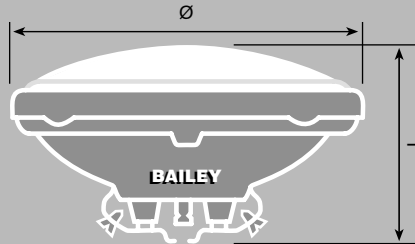
Also available on request:
 slip-on terminals
 3 screw terminals
 contact lugs

Other specifications on request.

Lamps for special purposes

HALOGEN PAR 36

Screw terminal base for general lighting 70x115



Volt	Watt	Description	Life	Type number
12	35	very narrow spot	4000	HP36S 012.035 VS
12	35	narrow spot	4000	HP36S 012.035 NS
12	35	wide flood	4000	HP36S 012.035 WF
12	50	very narrow spot	4000	HP36S 012.050 VS
12	50	narrow spot	4000	HP36S 012.050 NS
12	50	wide flood	4000	HP36S 012.050 WF

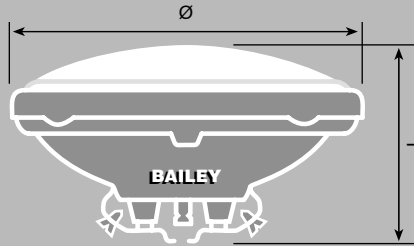


Other specifications on request.

Lamps for special purposes

Halogen PAR 36

Screw terminal base for special lighting 70x114



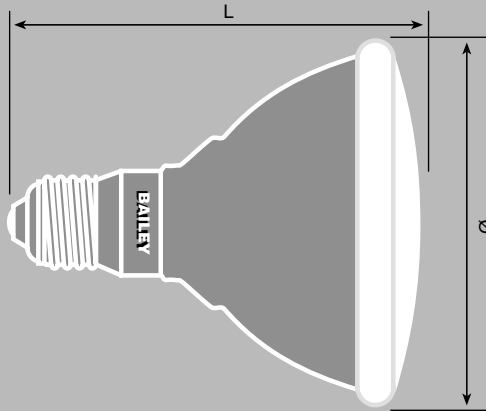
Volt	Watt	Description	Life	Type number
6,0	6	emergency bldg. lighting	50	HP36S H75.56
6,0	8	hand lantern	50	HP36S H75.50
6,0	8	emergency bldg. lighting	50	HP36S H75.51
6,0	10	emergency bldg. lighting	50	HP36S H75.52
6,0	12	emergency bldg. lighting	50	HP36S H75.53
6,0	20	emergency bldg. lighting	50	HP36S H75.54
6,4	30	spotlamp, shielded bulb	100	HP36S H45.15
12,0	8	emergency bldg. lighting	50	HP36S H75.55
12,0	12	emergency bldg. lighting	50	HP36S H75.57
12,8	9	garden & security lighting	100	HP36S H75.14
12,8	30	spotlamp, shielded bulb	100	HP36S H44.05
12,8	37,5	signal, rotating beacon	300	HP36S H76.00
12,8	37,5	spotlamp	300	HP36S H76.16
12,8	50	tractor, flood	400	HP36S H76.06
12,8	50	tractor, trapezoidal	400	HP36S H76.10
12,8	50	flood	100	HP36S H76.14
12,8	50	spotlamp	100	HP36S H76.04
12,8	65	tractor, flood	600	HP36S H76.07
13,0	250	aircraft landing, wing inspection	500	HP36S Q46.31
13,0	250	aircraft logo	500	HP36S Q46.32

Also available on request:
 slip-on terminals
 3 screw terminals

Lamps for special purposes

PAR 38 E27

122x140 Life: 2.000 hours



Volt	Watt	Description	Type number
24	120	spot	RP38E 024.120 SP
24	120	flood	RP38E 024.120 FL
130	120	flood	RP38E 130.120 FL
240	60	spot	RP38E 240.060 SP
240	60	flood	RP38E 240.060 FL
240	75	spot	RP38E 240.075 SP
240	75	flood	RP38E 240.075 FL
240	80	spot	RP38E 240.080 SP
240	80	flood	RP38E 240.080 FL*
240	100	spot	RP38E 240.100 SP
240	100	flood	RP38E 240.100 FL*
240	100	cool beam spot	RP38E 240.100 CS
240	100	cool beam flood	RP38E 240.100 CF
240	120	spot	RP38E 240.120 SP
240	120	flood	RP38E 240.120 FL*
240	120	cool beam flood	RP38E 240.120 CF

For infrared see page S24

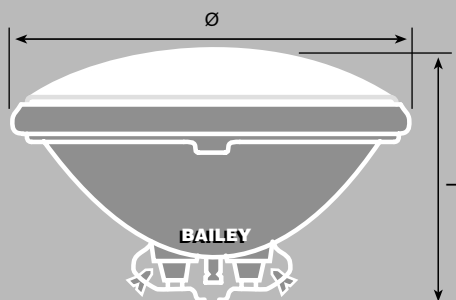
* Also available in colours blue, green, red and yellow
80 + 100W also in amber

Other specifications on request.

Lamps for special purposes

PAR 46

Screw terminal base 146 mm diameter



Volt	Watt	Description	Length	Life	Type number
5,5	25	spot	95	1000	RP46S 005.025 SP
6,2	30	tractor, trapezoidal	95	300	RP46S 40.19
6,4	25	tractor, flood	95	300	RP46S 40.13
6,4	30	spotlamp	95	100	RP46S 45.35
12,5	40	auto headlamp military	95	400	RP46S 45.31
12,8	30	spotlamp	95	100	RP46S 44.35
12,8	35	fog	95	300	RP46S 44.12
12,8	35	fog, yellow	95	300	RP46S 44.12 A
12,8	35	tractor, flood	95	300	RP46S 44.13
12,8	35	signal, red lens	95	300	RP46S 44.13 R
12,8	35	tractor, trapezoidal	95	300	RP46S 44.19
12,8	35	tractor, flood	95	300	RP46S 44.27
12,8	35	signal	95	300	RP46S 44.36
12,8	35	signal, red lens	95	300	RP46S 44.36 R
12,8	40	school bus signal, amber	95	100	RP46S 44.34 A
13,0	100	aircraft landing	80	25	RP46S 45.37
13,0	100	spotlamp	80	25	RP46S 45.37.2
13,0	100	marine spotlamp	80	25	RP46S 45.37 X
13,0	250	aircraft landing	80	25	RP46S 45.22
16,5	450	aircraft landing	95	25	RP46S 46.35
26,0	5,3A	signal, flashing	95	50	RP46S 45.30

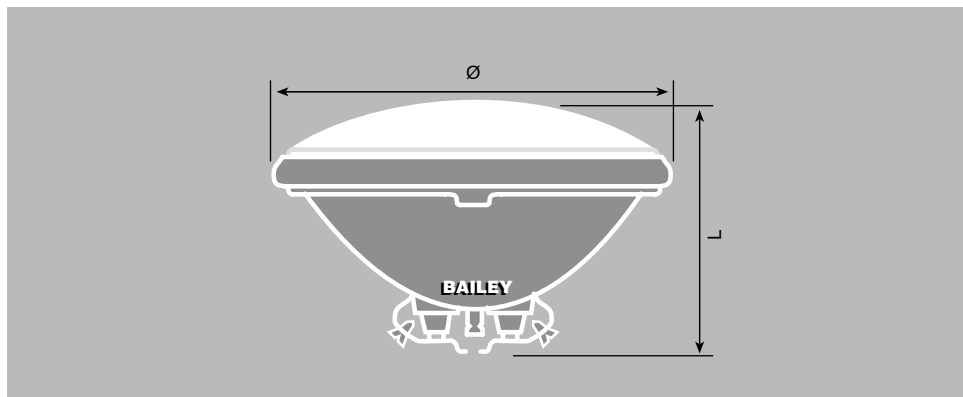
continue on page S 40

Other specifications on request.

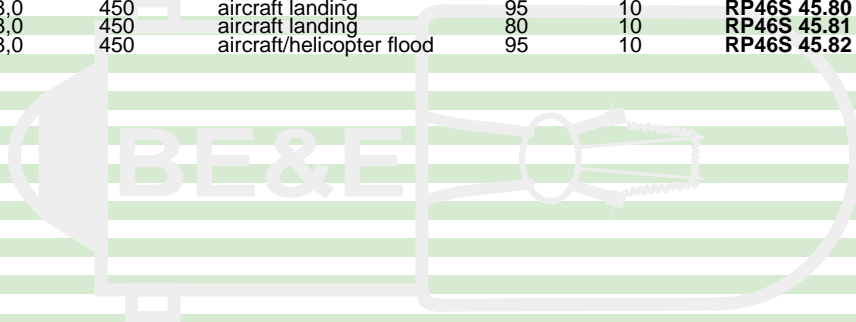
Lamps for special purposes

PAR 46

Screw terminal base 146 mm diameter



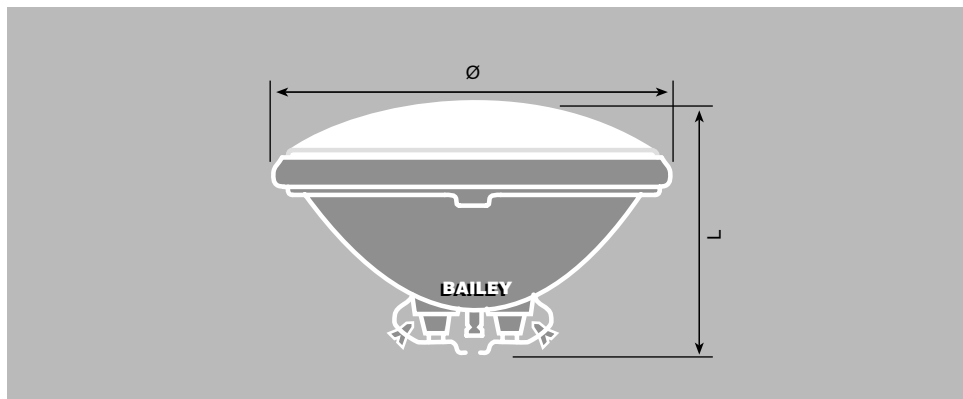
Volt	Watt	Description	Length	Life	Type number
28,0	150	tractor	95	300	RP46S 45.70 X
28,0	150	aircraft taxiing	95	300	RP46S 45.70
28,0	150	flood, special service	95	300	RP46S 45.71
28,0	150	auto, flood, military	95	300	RP46S 45.72
28,0	250	aircraft taxiing	95	25	RP46S 45.51
28,0	250	aircraft landing	80	25	RP46S 45.53
28,0	250	aircraft	95	100	RP46S 45.32
28,0	450	aircraft taxiing	80	250	RP46S 45.54
28,0	450	aircraft landing	95	10	RP46S 45.80
28,0	450	aircraft landing	80	10	RP46S 45.81
28,0	450	aircraft/helicopter flood	95	10	RP46S 45.82



Lamps for special purposes

Halogen PAR 46

Screw terminal base 146 mm diameter



Volt	Watt	Description	Length	Life	Type number
12,8	37,5	fog	95	450	HP46S H76.12
12,8	50	tractor, flood	95	400	HP46S H76.09
12,8	50	tractor, trapezoidal	95	400	HP46S H76.19
12,8	50	spotlamp	95	100	HP46S H76.35
12,8	50	spotlamp	95	100	HP46S H76.35 X
28,0	450	aircraft taxiing	67	100	HP46S Q45.54
28,0	450	aircraft flood	84	1000	HP46S Q45.97
28,0	450	aircraft	84	1000	HP46S Q45.66
28,0	450	aircraft landing	67	50	HP46S Q46.81

Also available on request:
slip-on terminals
contact lugs

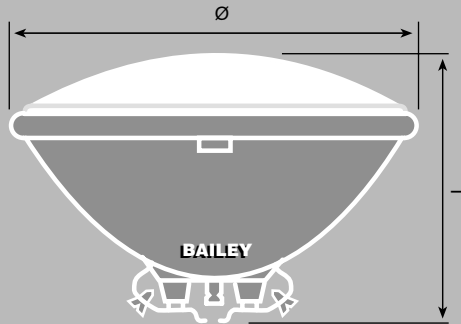


Other specifications on request.

Lamps for special purposes

PAR 56

Screw terminal base for general lighting 178 mm diameter



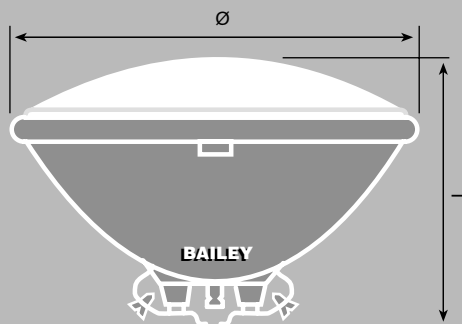
Volt	Watt	Description	Length	Life	Type number
12	120	very narrow spot	127	2000	RP56S 012.120 VS
12	120	medium flood	127	2000	RP56S 012.120 MF
12	120	wide flood	127	2000	RP56S 012.120 WF
12	240	medium flood	127	2000	RP56S 012.240 MF
12	240	wide flood	127	2000	RP56S 012.240 WF
12	300	wide flood	127	1000	RP56S 012.300 WF



Lamps for special purposes

PAR 56

Screw terminal base for special lighting 178 mm diameter



Volt	Watt	Description	Length	Life	Type number
12,0	100	marine searchlight	114	100	RP56S 45.45
12,5	100	marine spotlamp	114	50	RP56S 45.43
26,0	170	signal	114	100	RP56S 60.45
28,0	450	aircraft landing	114	25	RP56S 45.41

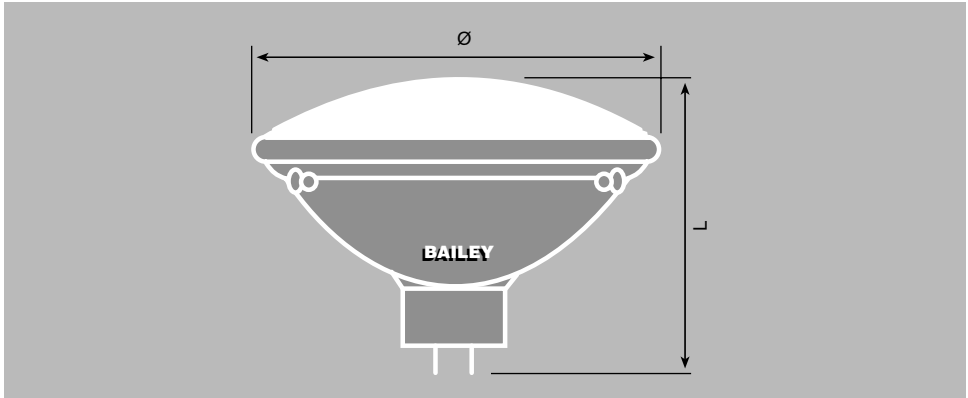


Other specifications on request.

Lamps for special purposes

PAR 56

GX16d base 127x178



Volt	Watt	Description	Life	Type number
240	300	narrow spot	2000	RP56G 240.300 NS
240	300	medium flood	2000	RP56G 240.300 MF
240	300	cool beam medium flood	2000	RP56G 240.300 CM

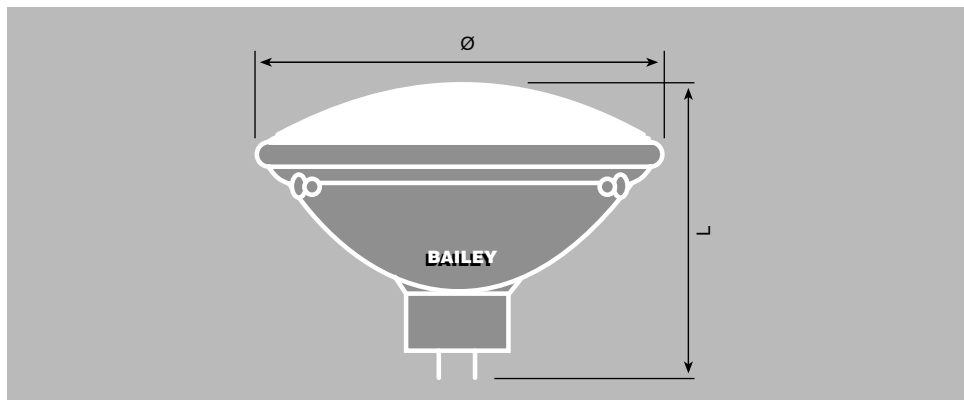




Lamps for special purposes

Halogen PAR 56

GX16d base 127x178



Volt	Watt	Description	Life	Type number
120	500	narrow spot	4000	HP56G 120.500 NS
120	500	medium flood	4000	HP56G 120.500 MF
120	500	wide flood	4000	HP56G 120.500 WF

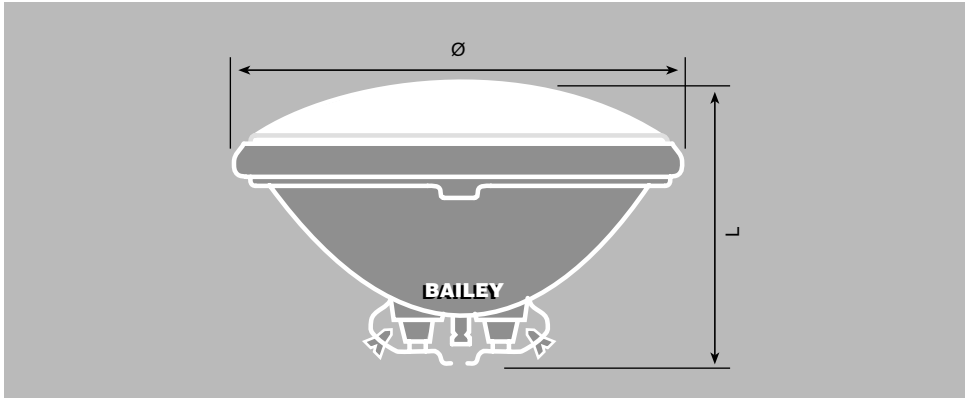


Other specifications on request.

Lamps for special purposes

PAR 64

Screw terminal base 95x203



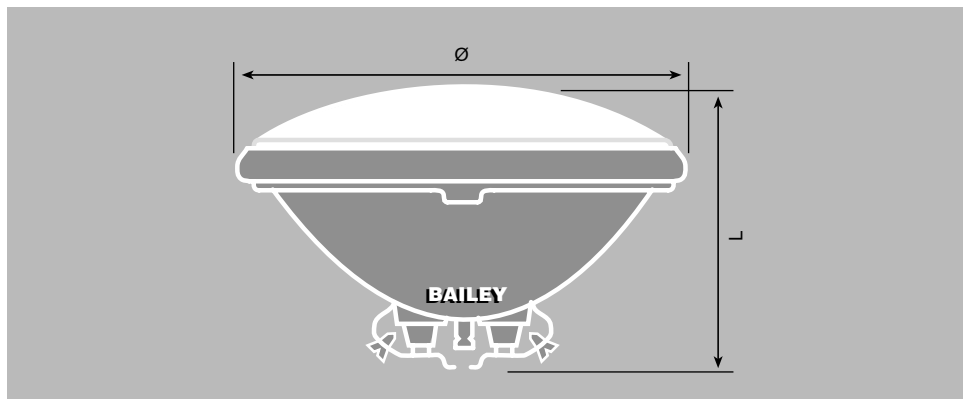
Volt	Watt	Description	Life	Type number
28,0	250	aircraft landing	25	RP64S 45.52
28,0	600	aircraft landing	25	RP64S 45.59
28,0	1000	aircraft landing/taxiing 3 screw terminals	25	RP64S 45.57
28,0	1000	aircraft landing/taxiing 3 screw terminals	50	RP64S 55.57
115,0	1000	aircraft landing	25	RP64S 45.55



Lamps for special purposes

Halogen PAR 64

Screw terminal base 203 mm diameter



Volt	Watt	Description	Length	Life	Type number
28,0	600	aircraft landing	95	100	RP64S Q45.59
28,0	600	aircraft landing	95	100	RP64S Q45.59 X
28,0	600	aircraft logo light	122	1000	RP64S Q46.29

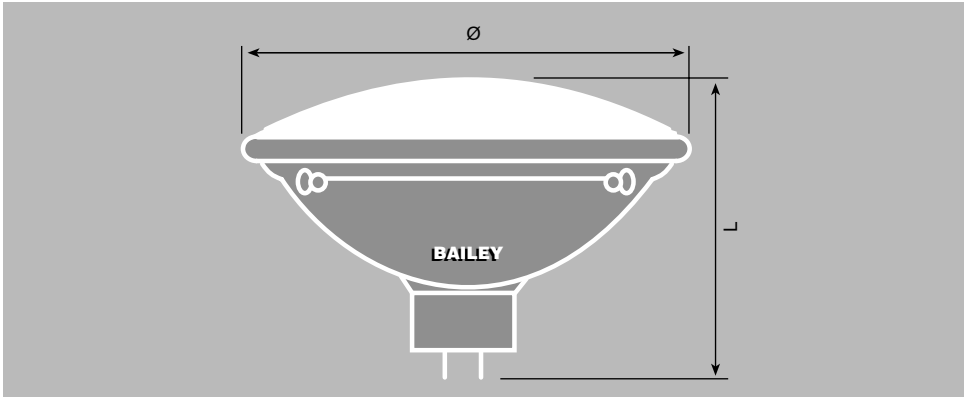


Other specifications on request.

Lamps for special purposes

PAR 64

GX16d base 127x204 Life: 2.000 hours



Volt	Watt	Description	Type number
240	500	medium flood	RP64G 240.500 MF
240	500	wide flood	RP64G 240.500 WF

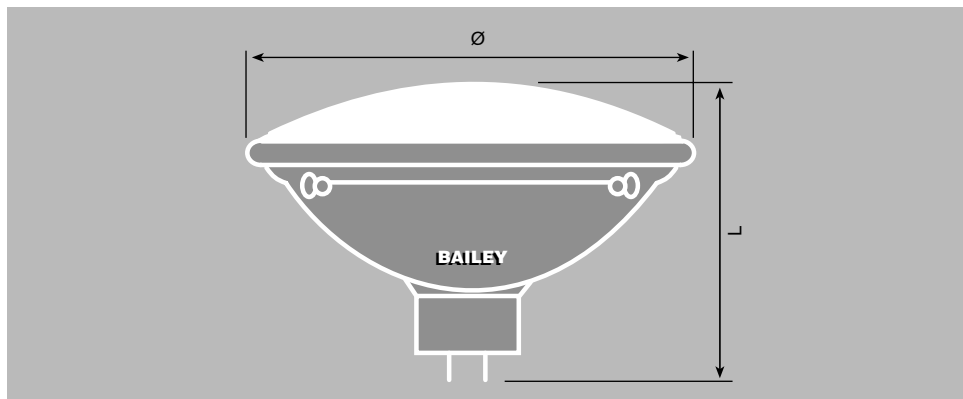


Other specifications on request.

Lamps for special purposes

PAR 64

Halogen GX16d base 127x204



Volt	Watt	Description	Type number
120	1000	narrow spot	HP64G 120.999 NS
120	1000	medium flood	HP64G 120.999 MF
120	1000	wide flood	HP64G 120.999 WF

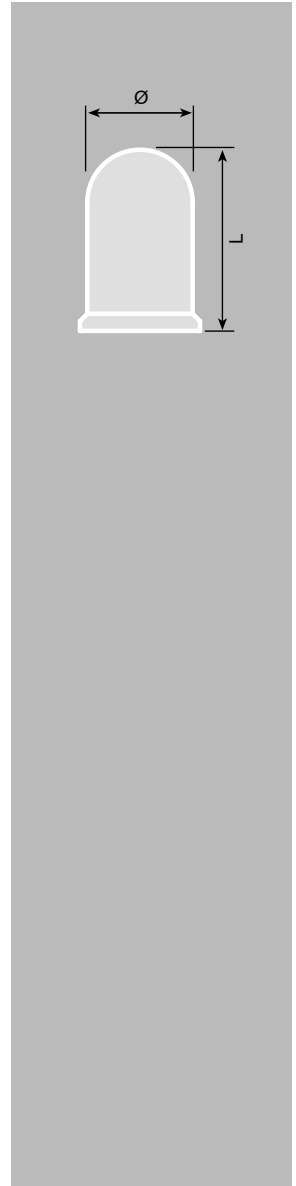


Other specifications on request.

Accessories

Silicon caps

Size	Dim.	Colour	Typenumber
T1	3.6x6.7	blue	ZSILICT1B
T1	3.6x6.7	green	ZSILICT1G
T1	3.6x6.7	orange	ZSILICT1A
T1	3.6x6.7	red	ZSILICT1R
T1	3.6x6.7	yellow	ZSILICT1Y
T1 1/4	4.8x7.4	blue	ZSILICT114B
T1 1/4	4.8x7.4	green	ZSILICT114G
T1 1/4	4.8x7.4	orange	ZSILICT114A
T1 1/4	4.8x7.4	red	ZSILICT114R
T1 1/4	4.8x7.4	yellow	ZSILICT114Y
T1 3/4	6x12	blue	ZSILICT134B
T1 3/4	6x12	green	ZSILICT134G
T1 3/4	6x12	orange	ZSILICT134A
T1 3/4	6x12	red	ZSILICT134R
T1 3/4	6x12	yellow	ZSILICT134Y
T3 1/4	10.5x13	blue	ZSILICT314B
T3 1/4	10.5x13	green	ZSILICT314G
T3 1/4	10.5x13	orange	ZSILICT314A
T3 1/4	10.5x13	red	ZSILICT314R
T3 1/4	10.5x13	yellow	ZSILICT314Y

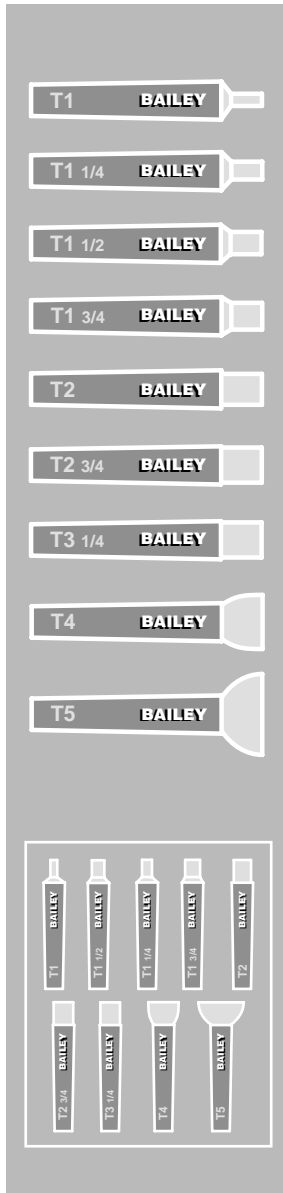


Other specifications on request.



Accessories

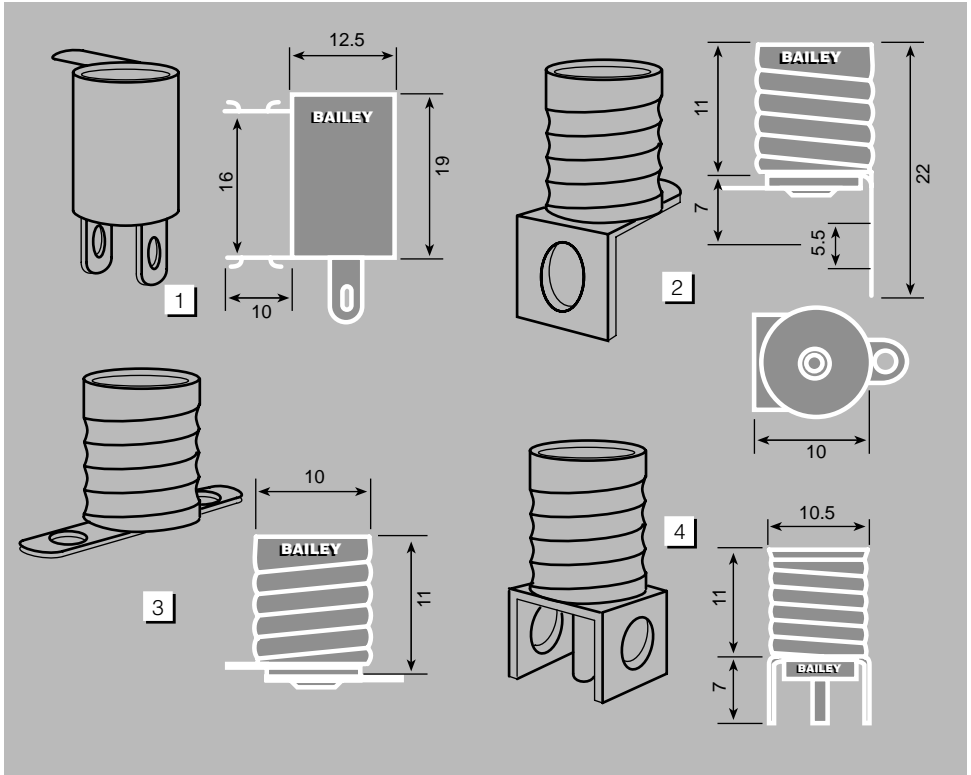
Lampextractor



Size	Ø	Type number
T1	3.17mm.	LAMPEXT1
T1 1/4	4.12mm.	LAMPEXT114
T1 1/2	5.10mm.	LAMPEXT112
T1 3/4	5.70mm.	LAMPEXT134
T2	6.60mm.	LAMPEXT2
T2 3/4	8.50mm.	LAMPEXT234
T3 1/4	10.00mm.	LAMPEXT314
T4	13.00mm.	LAMPEXT4
T5	15.00mm.	LAMPEXT5
Combination of all 9 lampextractors.		LAMPEXSET

Other specifications on request.

Accessories Sockets

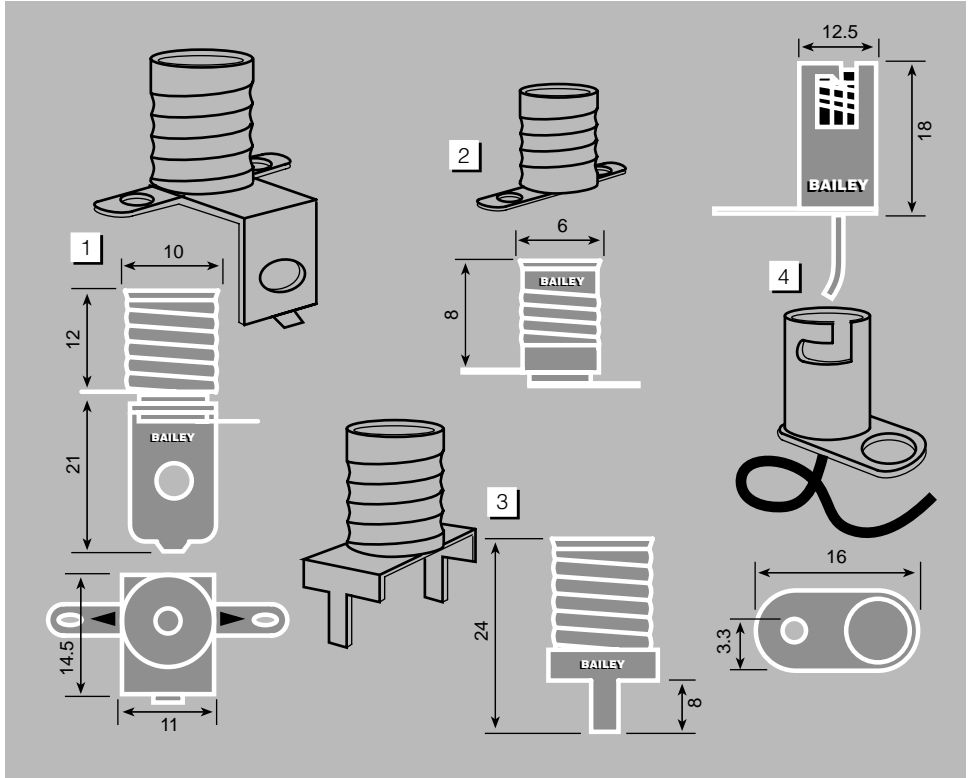


Base		Fig. no.	Type number
E10	S136	1	ZE10S136
E10	S210	2	ZE10S210
E10	S144	3	ZE10S144
E10	S186	4	ZE10S186

Other specifications on request.

Accessories

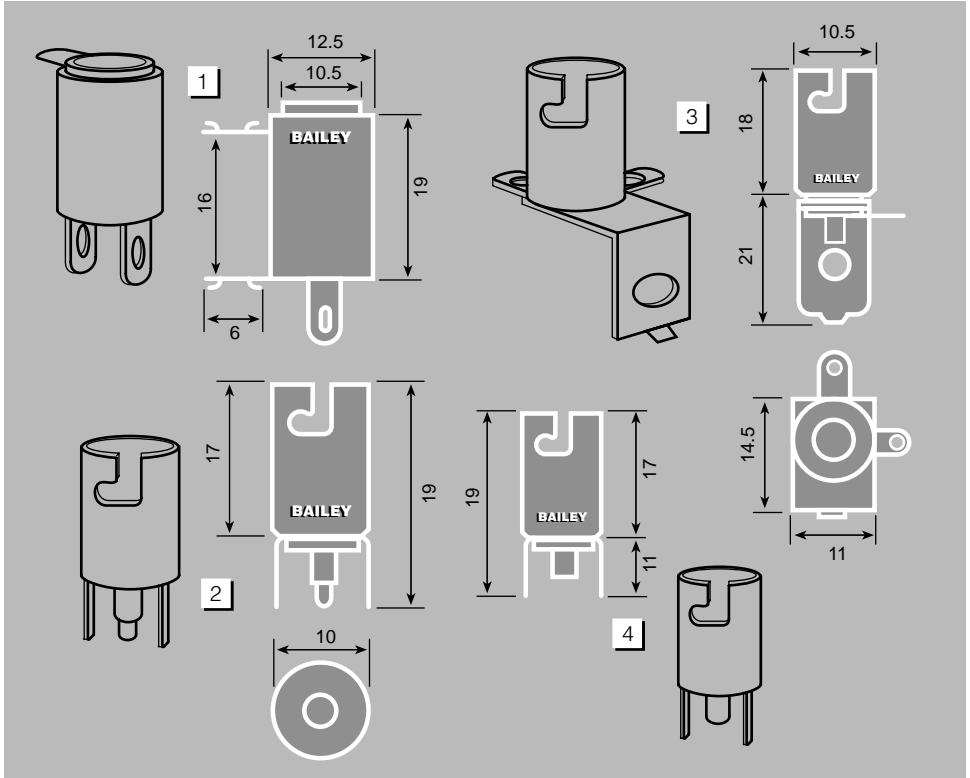
Sockets



Base		Fig. no.	Type number
E10	S187	1	ZE10S187
E5	S145	2	ZE5S145
E10	1204	3	ZE101204
Ba7s	S188	4	ZBA7SS188

Other specifications on request.

Accessories Sockets

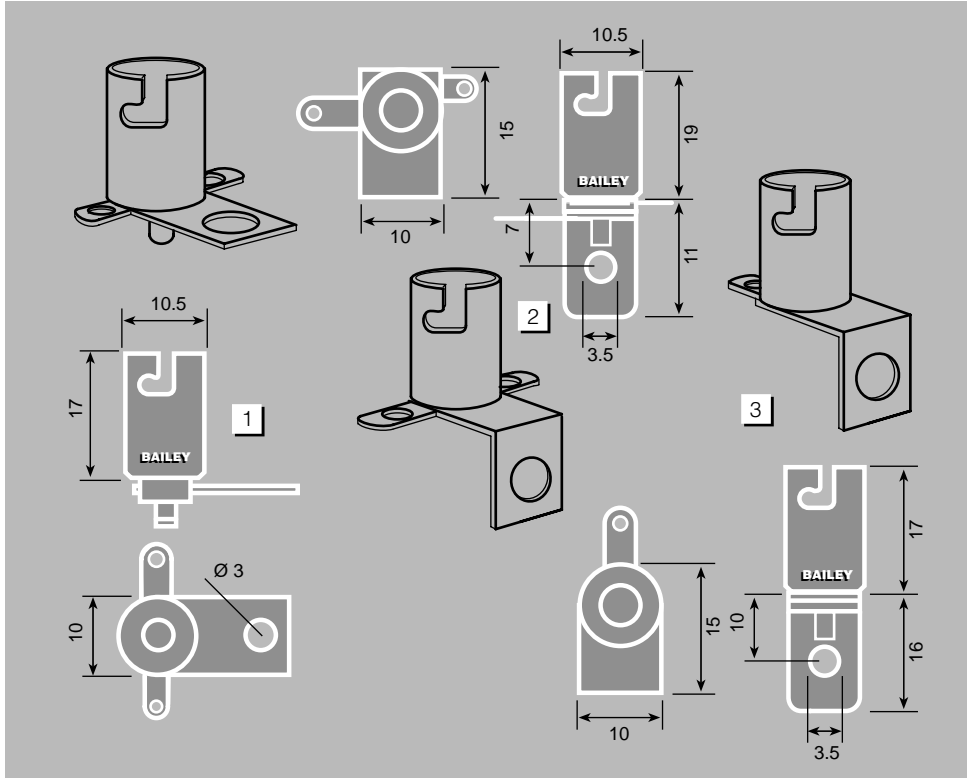


Base	Fig. no.	Type number
Ba9s S137	1	ZBA9SS137
Ba9s S211	2	ZBA9SS211
Ba9s S189	3	ZBA9SS189
Ba9s S190	4	ZBA9SS190

Other specifications on request.

Accessories

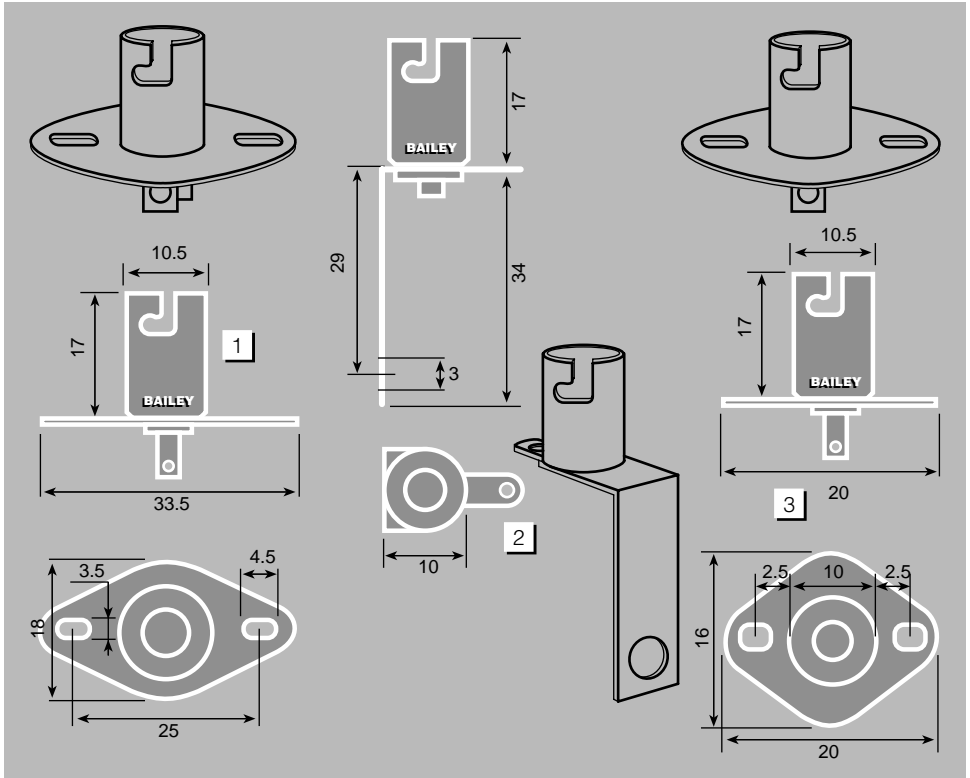
Sockets



Base	Fig. no.	Type number
Ba9s	S191	1
Ba9s	S192	2
Ba9s	S193	3

Other specifications on request.

Accessories Sockets

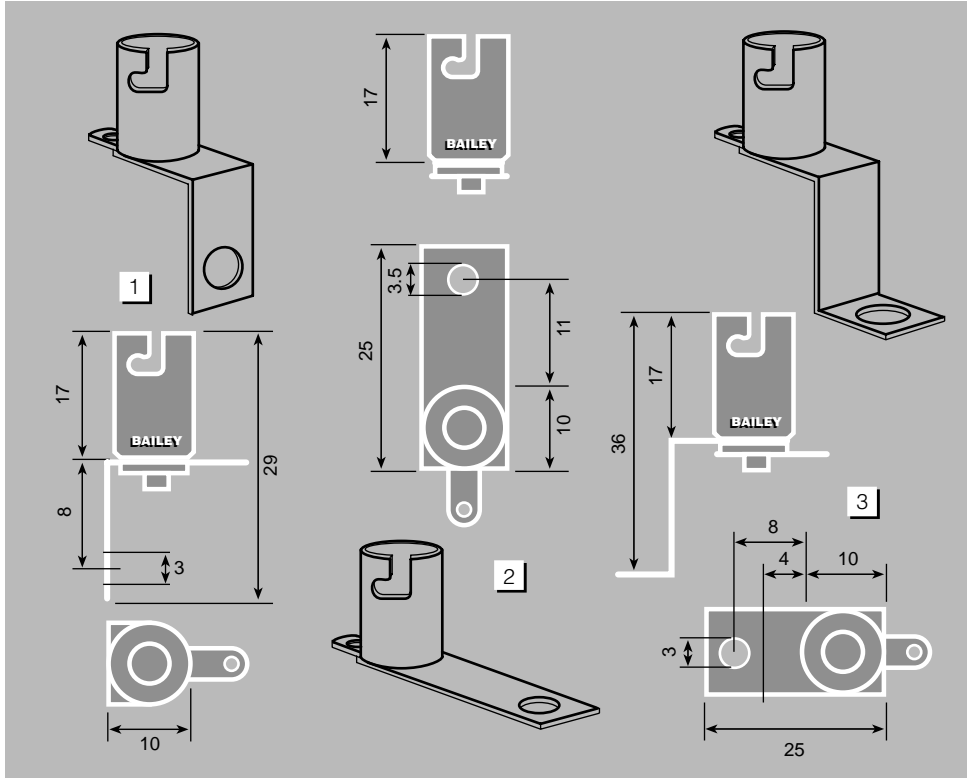


Base		Fig. no.	Type number
Ba9s	S195	1	ZBA9SS195
Ba9s	S213	2	ZBA9SS213
Ba9s	S212	3	ZBA9SS212

Other specifications on request.

Accessories

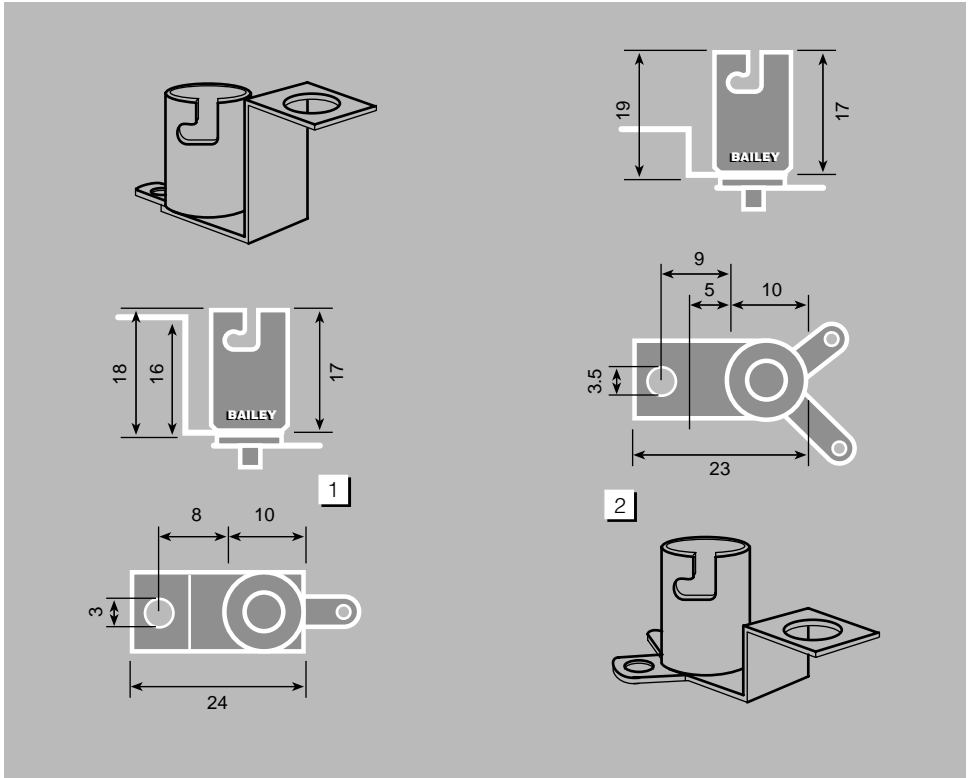
Sockets



Base	Fig. no.	Type number
Ba9s S214	1	ZBA9SS214
Ba9s S215	2	ZBA9SBS915
Ba9s S216	3	ZBA9SS216

Other specifications on request.

Accessories Sockets



Base	Fig. no.	Type number
------	----------	-------------

Ba9s	S217	1 ZBA9SS217
Ba9s	S218	2 ZBA9SS218



Other specifications on request.