

Bailey



Lamp Catalogue

LED miniature lamps

for all your lamps



TABLE OF CONTENTS

**PART
L**

LED's

Miniature lamps	L2
Bi-Pin Single LED	L2
T1	L2
T1 1/4	L3
T1 3/4	L4
Midget Flanged Single LED	L5
T1 3/4	L5
Midget Flanged Multi LED	L6
T1 3/4	L6
Midget Grooved Single LED	L7
T1 3/4	L7
Midget Grooved Multi LED	L8
T1 3/4	L8
Ba5s Single LED	L9
T1 3/4	L9
Wedge Base Single LED	L10
T5 5X20mm W2X4.6D	L10
T10 10X24mm W2.1X9.5D	L11
Telephone lamps Single LED	L12
T4.5	L12
T4.6	L13
T5.5K	L14
T5.5	L15
T6.5F French	L17
T6.8G German	L18
F9	L20
Telephone lamps Multi LED	L21
T5.5	L21
T6.8G German	L22
Ba7s Single LED	L23
T7X20mm	L23
Ba9s Single LED	L24
T10X24mm	L24
T9X26mm	L26
Ba9s Multi LED	L27
T10X28mm	L27
E10 Single LED	L28
T10X24mm	L28
T9X26mm	L30
Ba15d Single LED	L31
T16X31mm	L31
Ba15d Stack Light	L33
T15X41mm	L33
Ba15s Single LED	L34
T16X31mm	L34
E12 Single LED	L36
T16X30mm	L36

TABLE OF CONTENTS

E14 Single LED	L38
T13X30mm	L38
T16X35mm	L39
Festoon lamps Single LED	L40
S8.5.....	L40
Panel Mount Indicators	L42
Mounting hole 6mm	L42
Superflat Bezel IP40	L42
Prominent (Exterior) Bezel IP40	L42
Recessed (Interior) Bezel IP40.....	L43
Mounting hole 8mm	L43
Superflat Bezel IP40	L43
Prominent (Exterior) Bezel IP40	L44
Recessed (Interior) Bezel IP40.....	L45
Prominent (Exterior) Bezel IP67 Sunlight Visibility.....	L46
Recessed (Interior) Bezel IP67 Sunlight Visibility	L47
Prominent (Exterior) Bezel IP67	L48
Recessed (Interior) Bezel IP67.....	L48
Superflat Bezel IP40 Tri-Colour LED.....	L49
Prominent (Exterior) Bezel IP40 Tri-Colour LED	L49
Recessed (Interior) Bezel IP40 Tri-Colour LED.....	L50
Prominent (Exterior) Bezel IP67 Protection Tube	L51
Recessed (Interior) Bezel IP67 Protection Tube	L52
Mounting hole 14mm	L53
Standard Bezel IP40	L53
Standard Bezel IP67 Sunlight Visibility.....	L54
Standard Bezel IP40 Tri-Colour LED	L55
Standard Bezel IP40 Protection Tube	L55
Mounting hole 16mm	L56
Standard Bezel IP67 round lens	L56
Standard Bezel IP67 flat lens	L57
Standard Bezel IP67 round lens Protection Tube.....	L58
Mounting hole 19mm	L59
Standard Bezel IP67 flat lens	L59
Mounting hole 22mm	L59
Standard Bezel IP67 round lens	L59

Bailey

BE&E



for all your lamps

Caelli LUCE

RIVA

MEGAMAN
spaarlampen



PHILIPS

NARVA

OSRAM

SYLVANIA

Omicron

Radium

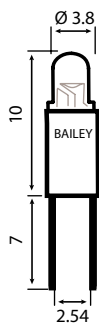


Bailey is a specialist in the area of lighting. We sell Miniature lamps and also Halogen lamps, LED lamps, Energy Saving lamps, Transport & Traffic lamps, Special lamps and General lamps to a variety of customers around the world. Please visit our site to learn more about our company and products.

tel.: +31 (0) 162 52 24 46, info@bailey.nl, www.bailey.nl

Miniature lamps Bi-Pin Single LED

T1



Product Features CML StarLEDs:

- Extreme long life
- Low heat production
- Low power consumption
- Shock and vibration proof

Item number	Voltage	AC/DC	Colour	ø (mm)	l (mm)	Brand
LP1001D12B	12	DC	Blue	3.8	10	
LP1001D12G	12	DC	Green	3.8	10	
LP1001D12R	12	DC	Red	3.8	10	
LP1001D12W	12	DC	White	3.8	10	
LP1001D12Y	12	DC	Yellow	3.8	10	
CML15015357	24	AC/DC	Blue	3.8	10	CML
CML15015351	24	AC/DC	Green	3.8	10	CML
CML15015350	24	AC/DC	Red	3.8	10	CML
CML1501535W3D	24	AC/DC	White	3.8	10	CML
CML15015352	24	AC/DC	Yellow	3.8	10	CML
LP1001D28B	28	DC	Blue	3.8	10	
LP1001D28G	28	DC	Green	3.8	10	
LP1001D28R	28	DC	Red	3.8	10	
LP1001D28W	28	DC	White	3.8	10	
LP1001D28Y	28	DC	Yellow	3.8	10	

Miniature lamps Bi-Pin Single LED

T1 1/4



Item number	Voltage	AC/DC	Colour	ø (mm)	l (mm)
LP1401D06B	6	DC	Blue	4	12
LP1401D06G	6	DC	Green	4	12
LP1401D06R	6	DC	Red	4	12
LP1401D06W	6	DC	White	4	12
LP1401D06Y	6	DC	Yellow	4	12
LP1401D12B	12	DC	Blue	4	12
LP1401D12G	12	DC	Green	4	12
LP1401D12R	12	DC	Red	4	12
LP1401D12W	12	DC	White	4	12
LP1401D12Y	12	DC	Yellow	4	12
LP1401D28B	24-28	DC	Blue	4	12
LP1401D28G	24-28	DC	Green	4	12
LP1401D28R	24-28	DC	Red	4	12
LP1401D28W	24-28	DC	White	4	12
LP1401D28Y	24-28	DC	Yellow	4	12

Miniature lamps Bi-Pin Single LED

T1 3/4



Item number	Voltage	AC/DC	Colour	ø (mm)	l (mm)
LP1601D06B	6	DC	Blue	5	14
LP1601D06G	6	DC	Green	5	14
LP1601D06R	6	DC	Red	5	14
LP1601D06W	6	DC	White	5	14
LP1601D06Y	6	DC	Yellow	5	14
LP1601D12B	12	DC	Blue	5	14
LP1601D12G	12	DC	Green	5	14
LP1601D12R	12	DC	Red	5	14
LP1601D12W	12	DC	White	5	14
LP1601D12Y	12	DC	Yellow	5	14
LP1601D28B	24-28	DC	Blue	5	14
LP1601D28G	24-28	DC	Green	5	14
LP1601D28R	24-28	DC	Red	5	14
LP1601D28W	24-28	DC	White	5	14
LP1601D28Y	24-28	DC	Yellow	5	14

Miniature lamps

Midget Flanged Single LED

T1 3/4



Item number	Voltage	AC/DC	Colour	ø (mm)	l (mm)
LF1601D06B	6	DC	Blue	5.7	16
LF1601D06G	6	DC	Green	5.7	16
LF1601D06R	6	DC	Red	5.7	16
LF1601D06W	6	DC	White	5.7	16
LF1601D06Y	6	DC	Yellow	5.7	16
LF1601D12B	12	DC	Blue	5.7	16
LF1601D12G	12	DC	Green	5.7	16
LF1601D12R	12	DC	Red	5.7	16
LF1601D12W	12	DC	White	5.7	16
LF1601D12Y	12	DC	Yellow	5.7	16
LF1601D28B	24-28	DC	Blue	5.7	16
LF1601D28G	24-28	DC	Green	5.7	16
LF1601D28R	24-28	DC	Red	5.7	16
LF1601D28W	24-28	DC	White	5.7	16
LF1601D28Y	24-28	DC	Yellow	5.7	16

Miniature lamps

Midget Flanged Multi LED

T1 3/4

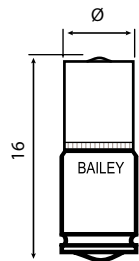


Item number	Voltage	AC/DC	Colour	ø (mm)	l (mm)
LF1606D12G	12	DC	Green	5.9	15
LF1606D12R	12	DC	Red	5.9	15
LF1606D12Y	12	DC	Yellow	5.9	15
LF1606D28G	24-28	DC	Green	5.9	15
LF1606D28R	24-28	DC	Red	5.9	15
LF1606D28Y	24-28	DC	Yellow	5.9	15

Miniature lamps

Midget Grooved Single LED

T1 3/4



Product Features CML StarLEDs:

- Extreme long life
- Low heat production
- Low power consumption
- Shock and vibration proof

Item number	Voltage	AC/DC	Colour	ø (mm)	l (mm)	Brand
LG1601D03G	3.3	DC	Green	5.7	16	
LG1601D03W	3.3	DC	White	5.7	16	
LG1601D03Y	3.3	DC	Yellow	5.7	16	
LG1601D06B	6	DC	Blue	5.7	16	
LG1601D06G	6	DC	Green	5.7	16	
LG1601D06R	6	DC	Red	5.7	16	
LG1601D06W	6	DC	White	5.7	16	
LG1601D06Y	6	DC	Yellow	5.7	16	
LG1601D12B	12	DC	Blue	5.7	16	
LG1601D12G	12	DC	Green	5.7	16	
LG1601D12R	12	DC	Red	5.7	16	
LG1601D12W	12	DC	White	5.7	16	
LG1601D12Y	12	DC	Yellow	5.7	16	
LG1601D28B	24-28	DC	Blue	5.7	16	
LG1601D28G	24-28	DC	Green	5.7	16	
LG1601D28A	24-28	DC	Orange	5.7	16	
LG1601D28R	24-28	DC	Red	5.7	16	
LG1601D28W	24-28	DC	White	5.7	16	
LG1601D28Y	24-28	DC	Yellow	5.7	16	
CML1512145B3	28	AC/DC	Blue	6.1	16	CML
CML1512145UG3	28	AC/DC	Green	6.1	16	CML
CML1512145UR3	28	AC/DC	Red	6.1	16	CML
CML1512145W3	28	AC/DC	White	6.1	16	CML
CML1512145UY3	28	AC/DC	Yellow	6.1	16	CML

Miniature lamps Midget Grooved Multi LED

T1 3/4



Item number	Voltage	AC/DC	Colour	ø (mm)	l (mm)
LG1606D06G	6	DC	Green	5.9	15
LG1606D06R	6	DC	Red	5.9	15
LG1606D06Y	6	DC	Yellow	5.9	15
LG1606D12G	12	DC	Green	5.9	15
LG1606D12R	12	DC	Red	5.9	15
LG1606D12Y	12	DC	Yellow	5.9	15
LG1606D28G	24-28	DC	Green	5.9	15
LG1606D28R	24-28	DC	Red	5.9	15
LG1606D28Y	24-28	DC	Yellow	5.9	15
LG1606D48G	48	DC	Green	5.9	15
LG1606D48R	48	DC	Red	5.9	15
LG1606D48Y	48	DC	Yellow	5.9	15

Miniature lamps Ba5s Single LED

T1 3/4

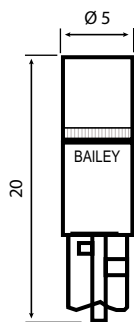


Item number	Voltage	AC/DC	Colour	ø (mm)	l (mm)
LB1601D06B	6	DC	Blue	5.6	15.9
LB1601D06G	6	DC	Green	5.6	15.9
LB1601D06R	6	DC	Red	5.6	15.9
LB1601D06W	6	DC	White	5.6	15.9
LB1601D06Y	6	DC	Yellow	5.6	15.9
LB1601D12B	12	DC	Blue	5.6	15.9
LB1601D12G	12	DC	Green	5.6	15.9
LB1601D12R	12	DC	Red	5.6	15.9
LB1601D12W	12	DC	White	5.6	15.9
LB1601D12Y	12	DC	Yellow	5.6	15.9
LB1601D28B	24-28	DC	Blue	5.6	15.9
LB1601D28G	24-28	DC	Green	5.6	15.9
LB1601D28R	24-28	DC	Red	5.6	15.9
LB1601D28W	24-28	DC	White	5.6	15.9
LB1601D28Y	24-28	DC	Yellow	5.6	15.9

Miniature lamps

Wedge Base Single LED

T5 5X20mm W2X4.6D



Item number	Voltage	AC/DC	Colour	ø (mm)	l (mm)
LW2001D06B	6	DC	Blue	5	20
LW2001D06G	6	DC	Green	5	20
LW2001D06R	6	DC	Red	5	20
LW2001D06W	6	DC	White	5	20
LW2001D06Y	6	DC	Yellow	5	20
LW2001D12B	12	DC	Blue	5	20
LW2001D12G	12	DC	Green	5	20
LW2001D12R	12	DC	Red	5	20
LW2001D12W	12	DC	White	5	20
LW2001D12Y	12	DC	Yellow	5	20
LW2001D28B	24-28	DC	Blue	5	20
LW2001D28G	24-28	DC	Green	5	20
LW2001D28R	24-28	DC	Red	5	20
LW2001D28W	24-28	DC	White	5	20
LW2001D28Y	24-28	DC	Yellow	5	20

Miniature lamps Wedge Base Single LED

T10 10X24mm W2.1X9.5D



Item number	Voltage	AC/DC	Colour	ø (mm)	l (mm)
LW2801D06B	6	DC	Blue	10	24
LW2801D06G	6	DC	Green	10	24
LW2801D06R	6	DC	Red	10	24
LW2801D06W	6	DC	White	10	24
LW2801D06Y	6	DC	Yellow	10	24
LW2801D12B	12	DC	Blue	10	24
LW2801D12G	12	DC	Green	10	24
LW2801D12R	12	DC	Red	10	24
LW2801D12W	12	DC	White	10	24
LW2801D12Y	12	DC	Yellow	10	24
LW2801D28B	24-28	DC	Blue	10	24
LW2801D28G	24-28	DC	Green	10	24
LW2801D28R	24-28	DC	Red	10	24
LW2801D28W	24-28	DC	White	10	24
LW2801D28Y	24-28	DC	Yellow	10	24

Miniature lamps

Telephone lamps Single LED

T4.5



Item number	Voltage	AC/DC	Colour	ø (mm)	l (mm)
LT1601D06B	6	DC	Blue	3.8	14
LT1601D06G	6	DC	Green	3.8	14
LT1601D06R	6	DC	Red	3.8	14
LT1601D06W	6	DC	White	3.8	14
LT1601D06Y	6	DC	Yellow	3.8	14
LT1601D12B	12	DC	Blue	3.8	14
LT1601D12G	12	DC	Green	3.8	14
LT1601D12R	12	DC	Red	3.8	14
LT1601D12W	12	DC	White	3.8	14
LT1601D12Y	12	DC	Yellow	3.8	14
LT1601D28B	24-28	DC	Blue	3.8	14
LT1601D28G	24-28	DC	Green	3.8	14
LT1601D28R	24-28	DC	Red	3.8	14
LT1601D28W	24-28	DC	White	3.8	14
LT1601D28Y	24-28	DC	Yellow	3.8	14

Miniature lamps

Telephone lamps Single LED

T4.6

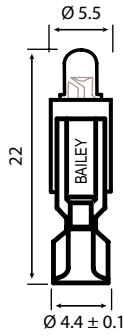


Item number	Voltage	AC/DC	Colour	ø (mm)	l (mm)
LT2101D06B	6	DC	Blue	3.8	21
LT2101D06G	6	DC	Green	3.8	21
LT2101D06R	6	DC	Red	3.8	21
LT2101D06W	6	DC	White	3.8	21
LT2101D06Y	6	DC	Yellow	3.8	21
LT2101D12B	12	DC	Blue	3.8	21
LT2101D12G	12	DC	Green	3.8	21
LT2101D12R	12	DC	Red	3.8	21
LT2101D12W	12	DC	White	3.8	21
LT2101D12Y	12	DC	Yellow	3.8	21
LT2101D28B	24-28	DC	Blue	3.8	21
LT2101D28G	24-28	DC	Green	3.8	21
LT2101D28R	24-28	DC	Red	3.8	21
LT2101D28W	24-28	DC	White	3.8	21
LT2101D28Y	24-28	DC	Yellow	3.8	21
LT2101C28B	24-28	AC/DC	Blue	3.8	22
LT2101C28G	24-28	AC/DC	Green	3.8	22
LT2101C28R	24-28	AC/DC	Red	3.8	22
LT2101C28W	24-28	AC/DC	White	3.8	22
LT2101C28Y	24-28	AC/DC	Yellow	3.8	22
LT2101D60B	60	DC	Blue	3.8	21
LT2101D60G	60	DC	Green	3.8	21
LT2101D60R	60	DC	Red	3.8	21
LT2101D60W	60	DC	White	3.8	21
LT2101D60Y	60	DC	Yellow	3.8	21

Miniature lamps

Telephone lamps Single LED

T5.5K



Product Features CML StarLEDs:

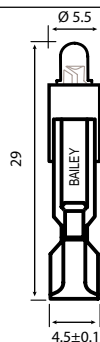
- Extreme long life
- Low heat production
- Low power consumption
- Shock and vibration proof

Item number	Voltage	AC/DC	Colour	ø (mm)	l (mm)	Brand
LT2201D06B	6	DC	Blue	5.5	22	
LT2201D06G	6	DC	Green	5.5	22	
LT2201D06R	6	DC	Red	5.5	22	
LT2201D06W	6	DC	White	5.5	22	
LT2201D06Y	6	DC	Yellow	5.5	22	
LT2201D12B	12	DC	Blue	5.5	22	
LT2201D12G	12	DC	Green	5.5	22	
LT2201D12R	12	DC	Red	5.5	22	
LT2201D12W	12	DC	White	5.5	22	
LT2201D12Y	12	DC	Yellow	5.5	22	
LT2201D28B	24-28	DC	Blue	5.5	22	
LT2201D28G	24-28	DC	Green	5.5	22	
LT2201D28R	24-28	DC	Red	5.5	22	
LT2201D28W	24-28	DC	White	5.5	22	
LT2201D28Y	24-28	DC	Yellow	5.5	22	
CML1504135B3	24	AC/DC	Blue	6.2	22	CML
CML1504135UG3	24	AC/DC	Green	6.2	22	CML
LT2201C28G	24-28	AC/DC	Green	5.5	22	
LT2201C28R	24-28	AC/DC	Red	5.5	22	
CML1504135UR3	24	AC/DC	Red	6.2	22	CML
CML1504135W3	24	AC/DC	White	6.2	22	CML
LT2201C28W	24-28	AC/DC	White	5.5	22	
LT2201C28Y	24-28	AC/DC	Yellow	5.5	22	
CML1504135UY3	24	AC/DC	Yellow	6.2	22	CML
CML1504145B3	28	AC/DC	Blue	6.2	22	CML
CML1504145UG3	28	AC/DC	Green	6.2	22	CML
CML1504145UR3	28	AC/DC	Red	6.2	22	CML
CML1504145W3	28	AC/DC	White	6.2	22	CML
CML1504145UY3	28	AC/DC	Yellow	6.2	22	CML
LT2201C36W	36	AC/DC	White	5.5	22	

Miniature lamps

Telephone lamps Single LED

T5.5



Product Features CML StarLEDs:

- Extreme long life
- Low heat production
- Low power consumption
- Shock and vibration proof

Item number	Voltage	AC/DC	Colour	ø (mm)	l (mm)	Brand
LT3001D06B	6	DC	Blue	5.5	30	
LT3001D06G	6	DC	Green	5.5	30	
LT3001D06R	6	DC	Red	5.5	30	
LT3001D06W	6	DC	White	5.5	30	
LT3001D06Y	6	DC	Yellow	5.5	30	
LT3001D12B	12	DC	Blue	5.5	30	
LT3001D12G	12	DC	Green	5.5	30	
LT3001D12R	12	DC	Red	5.5	30	
LT3001D12W	12	DC	White	5.5	30	
LT3001D12Y	12	DC	Yellow	5.5	30	
LT3001D28B	24-28	DC	Blue	5.5	30	
LT3001D28G	24-28	DC	Green	5.5	30	
LT3001D28R	24-28	DC	Red	5.5	30	
LT3001D28W	24-28	DC	White	5.5	30	
LT3001D28Y	24-28	DC	Yellow	5.5	30	
CML1505135B3	24	AC/DC	Blue	5.8	30	CML
CML1505135UG3	24	AC/DC	Green	5.8	30	CML
LT3001C28G	24-28	AC/DC	Green	5.5	29	
LT3001C28R	24-28	AC/DC	Red	5.5	29	
CML1505135UR3	24	AC/DC	Red	5.8	30	CML
CML1505135W3	24	AC/DC	White	5.8	30	CML
LT3001C28W	24-28	AC/DC	White	5.5	29	
LT3001C28Y	24-28	AC/DC	Yellow	5.5	29	
CML1505135UY3	24	AC/DC	Yellow	5.8	30	CML
CML1505145B3	28	AC/DC	Blue	5.8	30	CML
CML1505145UG3	28	AC/DC	Green	5.8	30	CML
CML1505145UR3	28	AC/DC	Red	5.8	30	CML
CML1505145W3	28	AC/DC	White	5.8	30	CML
CML1505145UY3	28	AC/DC	Yellow	5.8	30	CML
LT3001D36W	36	DC	White	5.5	30	

Miniature lamps

Telephone lamps Single LED

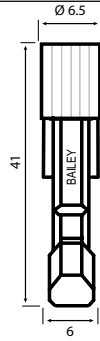
T5.5

Item number	Voltage	AC/DC	Colour	ø (mm)	l (mm)	Brand
LT3001C36Y	36	AC/DC	Yellow	5.5	29	
LT3001D48W	48	DC	White	5.5	30	
LT3001C48G	48	AC/DC	Green	5.5	29	
LT3001C48R	48	AC/DC	Red	5.5	29	
LT3001C48Y	48	AC/DC	Yellow	5.5	29	
LT3001D60B	60	DC	Blue	5.5	30	
LT3001D60G	60	DC	Green	5.5	30	
LT3001D60R	60	DC	Red	5.5	30	
LT3001D60W	60	DC	White	5.5	30	
LT3001D60Y	60	DC	Yellow	5.5	30	
LT3001C60W	60	AC/DC	White	5.5	29	
LT3001C130B	110-130	AC/DC	Blue	5.5	29	
LT3001C130G	110-130	AC/DC	Green	5.5	29	
LT3001C130R	110-130	AC/DC	Red	5.5	29	
LT3001C130W	110-130	AC/DC	White	5.5	29	
LT3001C130Y	110-130	AC/DC	Yellow	5.5	29	
LT3001C230R	230	AC	Red	5.5	29	
LT3001C230W	230	AC	White	5.5	29	

Miniature lamps

Telephone lamps Single LED

T6.5F French

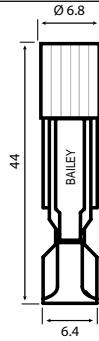


Item number	Voltage	AC/DC	Colour	ø (mm)	l (mm)
LT4301D28B	24-28	DC	Blue	6.5	41
LT4301D28G	24-28	DC	Green	6.5	41
LT4301D28R	24-28	DC	Red	6.5	41
LT4301D28W	24-28	DC	White	6.5	41
LT4301D28Y	24-28	DC	Yellow	6.5	41
LT4301D54W	48-54	DC	White	6.5	41
LT4301D60B	60	DC	Blue	6.5	41
LT4301D60G	60	DC	Green	6.5	41
LT4301D60R	60	DC	Red	6.5	41
LT4301D60W	60	DC	White	6.5	41
LT4301D60Y	60	DC	Yellow	6.5	41

Miniature lamps

Telephone lamps Single LED

T6.8G German



Product Features CML StarLEDs:

- Extreme long life
- Low heat production
- Low power consumption
- Shock and vibration proof

Item number	Voltage	AC/DC	Colour	ø (mm)	l (mm)	Brand
LT4401D06B	6	DC	Blue	6.8	44	
LT4401D06G	6	DC	Green	6.8	44	
LT4401D06R	6	DC	Red	6.8	44	
LT4401D06W	6	DC	White	6.8	44	
LT4401D06Y	6	DC	Yellow	6.8	44	
LT4401D12Y	12	DC	Amber	6.8	44	
LT4401D12B	12	DC	Blue	6.8	44	
LT4401D12G	12	DC	Green	6.8	44	
LT4401D12R	12	DC	Red	6.8	44	
LT4401D12W	12	DC	White	6.8	44	
LT4401C12G	12	AC/DC	Green	6.8	44	
LT4401C12R	12	AC/DC	Red	6.8	44	
LT4401C12W	12	AC/DC	White	6.8	44	
LT4401D28B	24-28	DC	Blue	6.8	44	
LT4401D28G	24-28	DC	Green	6.8	44	
LT4401D28R	24-28	DC	Red	6.8	44	
LT4401D28W	24-28	DC	White	6.8	44	
LT4401D28Y	24-28	DC	Yellow	6.8	44	
LT4401C28B	24-28	AC/DC	Blue	6.8	44	
LT4401C28G	24-28	AC/DC	Green	6.8	44	
LT4401C28R	24-28	AC/DC	Red	6.8	44	
LT4401C28W	24-28	AC/DC	White	6.8	44	
LT4401C28Y	24-28	AC/DC	Yellow	6.8	44	
CML1507145B3	28	AC/DC	Blue	6.8	44	CML
CML1507145G3	28	AC/DC	Green	6.8	44	CML
CML1507145R3	28	AC/DC	Red	6.8	44	CML
CML1507145W3	28	AC/DC	White	6.8	44	CML
CML1507145Y3	28	AC/DC	Yellow	6.8	44	CML
LT4401D36B	36	DC	Blue	6.8	44	
LT4401D36G	36	DC	Green	6.8	44	

Miniature lamps

Telephone lamps Single LED

T6.8G German

Item number	Voltage	AC/DC	Colour	ø (mm)	l (mm)	Brand
LT4401D36R	36	DC	Red	6.8	44	
LT4401D36W	36	DC	White	6.8	44	
LT4401D36Y	36	DC	Yellow	6.8	44	
LT4401C36W	36	AC/DC	White	6.8	44	
LT4401D48B	48	DC	Blue	6.8	44	
LT4401D48G	48	DC	Green	6.8	44	
LT4401D48R	48	DC	Red	6.8	44	
LT4401D48W	48	DC	White	6.8	44	
LT4401D48Y	48	DC	Yellow	6.8	44	
LT4401C48G	48	AC/DC	Green	6.8	44	
LT4401C48R	48	AC/DC	Red	6.8	44	
LT4401C48Y	48	AC/DC	Yellow	6.8	44	
LT4401A230G	230	AC	Green	6.8	44	
LT4401A230R	230	AC	Red	6.8	44	
LT4401A230W	230	AC	White	6.8	44	

Miniature lamps

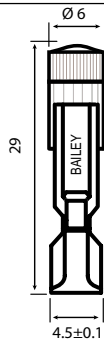
Telephone lamps Single LED

F9



Item number	Voltage	AC/DC	Colour	ø (mm)	l (mm)
LF92801D06B	6	DC	Blue	9	28
LF92801D06G	6	DC	Green	9	28
LF92801D06R	6	DC	Red	9	28
LF92801D06W	6	DC	White	9	28
LF92801D06Y	6	DC	Yellow	9	28
LF92801D12B	12	DC	Blue	9	28
LF92801D12G	12	DC	Green	9	28
LF92801D12R	12	DC	Red	9	28
LF92801D12W	12	DC	White	9	28
LF92801D12Y	12	DC	Yellow	9	28
LF92801D28B	24-28	DC	Blue	9	28
LF92801D28G	24-28	DC	Green	9	28
LF92801D28R	24-28	DC	Red	9	28
LF92801D28W	24-28	DC	White	9	28
LF92801D28Y	24-28	DC	Yellow	9	28

Miniature lamps
Telephone lamps Multi LED
T5.5



Item number	Voltage	AC/DC	Colour	ø (mm)	l (mm)
LT3006D12G	12	DC	Green	6	29
LT3006D12R	12	DC	Red	6	29
LT3006D12Y	12	DC	Yellow	6	29
LT3006D28G	24-28	DC	Green	6	29
LT3006D28R	24-28	DC	Red	6	29
LT3006D28Y	24-28	DC	Yellow	6	29

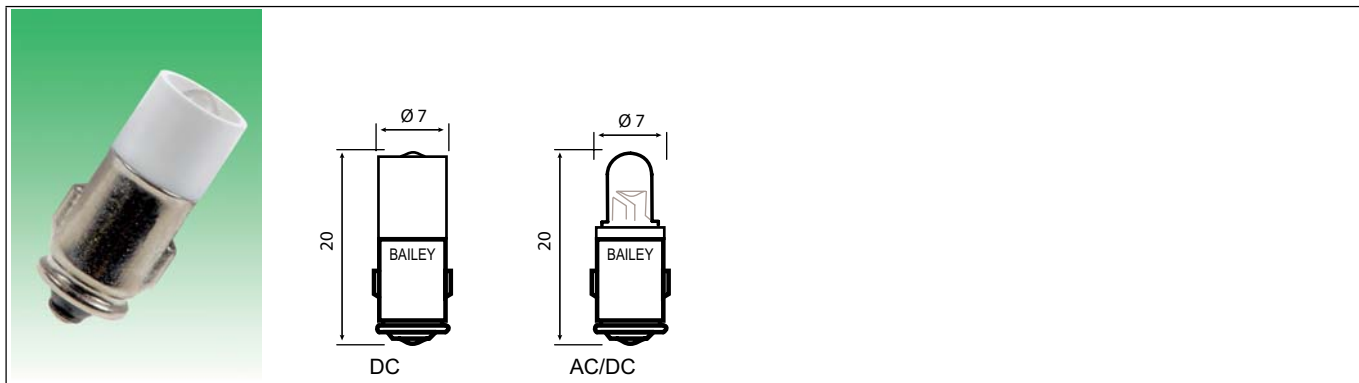
Miniature lamps
Telephone lamps Multi LED
T6.8G German



Item number	Voltage	AC/DC	Colour	ø (mm)	l (mm)
LT4406D28G	24-28	DC	Green	7	44
LT4406D28R	24-28	DC	Red	7	44
LT4406D28Y	24-28	DC	Yellow	7	44
LT4406C28G	24-28	AC/DC	Green	7	44
LT4406C28R	24-28	AC/DC	Red	7	44
LT4406C28Y	24-28	AC/DC	Yellow	7	44
LT4406D48G	48	DC	Green	7	44
LT4406D48R	48	DC	Red	7	44
LT4406D48Y	48	DC	Yellow	7	44

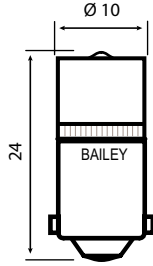
Miniature lamps Ba7s Single LED

T7X20mm



Item number	Voltage	AC/DC	Colour	ø (mm)	l (mm)
LB1801D06B	6	DC	Blue	7	20
LB1801D06G	6	DC	Green	7	20
LB1801D06R	6	DC	Red	7	20
LB1801D06W	6	DC	White	7	20
LB1801D06Y	6	DC	Yellow	7	20
LB1801C06G	6	AC/DC	Green	7	20
LB1801C06R	6	AC/DC	Red	7	20
LB1801C06W	6	AC/DC	White	7	20
LB1801C06Y	6	AC/DC	Yellow	7	20
LB1801D12B	12	DC	Blue	7	20
LB1801D12G	12	DC	Green	7	20
LB1801D12R	12	DC	Red	7	20
LB1801D12W	12	DC	White	7	20
LB1801D12Y	12	DC	Yellow	7	20
LB1801C12G	12	AC/DC	Green	7	20
LB1801C12R	12	AC/DC	Red	7	20
LB1801D28B	24-28	DC	Blue	7	20
LB1801D28G	24-28	DC	Green	7	20
LB1801D28R	24-28	DC	Red	7	20
LB1801D28W	24-28	DC	White	7	20
LB1801D28Y	24-28	DC	Yellow	7	20
LB1801C028B	24-28	AC/DC	Blue	7	20
LB1801C28G	24-28	AC/DC	Green	7	20
LB1801C028R	24-28	AC/DC	Red	7	20
LB1801C28W	24-28	AC/DC	White	7	20
LB1801C28Y	24-28	AC/DC	Yellow	7	20
LB1801C48W	48	AC/DC	White	7	20
LB1801C60W	60	AC/DC	White	7	20
LB1801C130G	130	AC/DC	Green	7	20
LB1801C130W	130	AC/DC	White	7	20

Miniature lamps
Ba9s Single LED
T10X24mm



Item number	Voltage	AC/DC	Colour	ø (mm)	l (mm)
LB2401C06B	6	AC/DC	Blue	10	24
LB2401C06G	6	AC/DC	Green	10	24
LB2401C06R	6	AC/DC	Red	10	24
LB2401C06W	6	AC/DC	White	10	24
LB2401C06Y	6	AC/DC	Yellow	10	24
LB2401C0848W	8-48	AC/DC	White	10	24
LB2401C0848Y	8-48	AC/DC	Yellow	10	24
LB2401C12B	12	AC/DC	Blue	10	24
LB2401C12G	12	AC/DC	Green	10	24
LB2401C12R	12	AC/DC	Red	10	24
LB2401C12W	12	AC/DC	White	10	24
LB2401C12Y	12	AC/DC	Yellow	10	24
LB2401C14G	14	AC/DC	Green	10	24
LB2401C28B	24-28	AC/DC	Blue	10	24
LB2401C28G	24-28	AC/DC	Green	10	24
LB2401C28A	24-28	AC/DC	Orange	10	24
LB2401C28R	24-28	AC/DC	Red	10	24
LB2401C28W	24-28	AC/DC	White	10	24
LB2401C28Y	24-28	AC/DC	Yellow	10	24
LB2401C30B	30	AC/DC	Blue	10	24
LB2401C30R	30	AC/DC	Red	10	24
LB2401C30W	30	AC/DC	White	10	24
LB2401C30Y	30	AC/DC	Yellow	10	24
LB2401C36B	36	AC/DC	Blue	10	24
LB2401C36G	36	AC/DC	Green	10	24
LB2401C36R	36	AC/DC	Red	10	24
LB2401C36W	36	AC/DC	White	10	24
LB2401C36Y	36	AC/DC	Yellow	10	24
LB2401C48B	48	AC/DC	Blue	10	24
LB2401C48G	48	AC/DC	Green	10	24

Miniature lamps

Ba9s Single LED

T10X24mm

Item number	Voltage	AC/DC	Colour	ø (mm)	l (mm)
LB2401C48R	48	AC/DC	Red	10	24
LB2401C48W	48	AC/DC	White	10	24
LB2401C48Y	48	AC/DC	Yellow	10	24
LB2401C60B	60	AC/DC	Blue	10	24
LB2401C60G	60	AC/DC	Green	10	24
LB2401C60R	60	AC/DC	Red	10	24
LB2401C60W	60	AC/DC	White	10	24
LB2401C60Y	60	AC/DC	Yellow	10	24
LB2401C130B	110-130	AC/DC	Blue	10	24
LB2401C130G	110-130	AC/DC	Green	10	24
LB2401C130R	110-130	AC/DC	Red	10	24
LB2401C130W	110-130	AC/DC	White	10	24
LB2401C130Y	110-130	AC/DC	Yellow	10	24
LB2401C235B	235	AC/DC	Blue	10	24
LB2401C235G	235	AC/DC	Green	10	24
LB2401C235R	235	AC/DC	Red	10	24
LB2401C235W	235	AC/DC	White	10	24
LB2401C235Y	235	AC/DC	Yellow	10	24

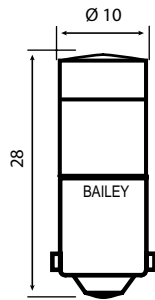
Miniature lamps Ba9s Single LED

T9X26mm



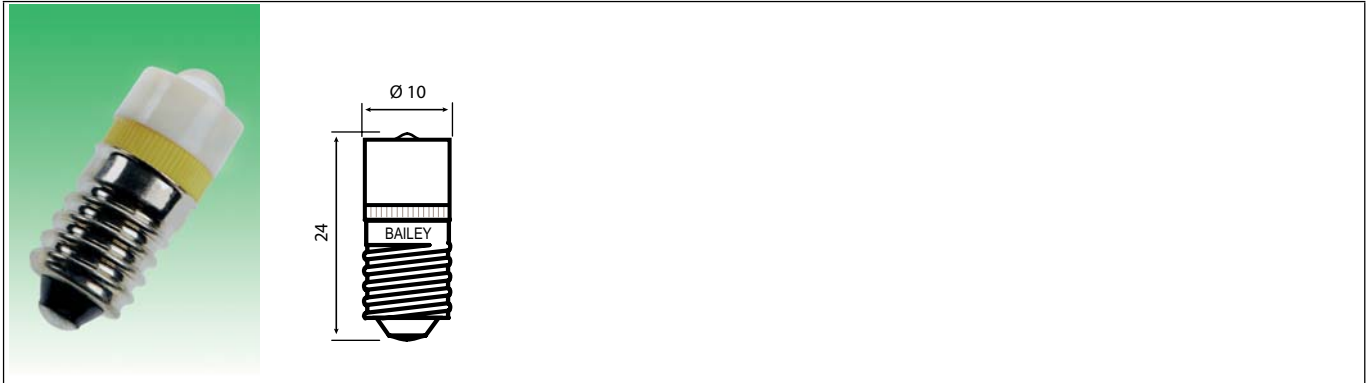
Item number	Voltage	AC/DC	Colour	ø (mm)	l (mm)
LB2601C28B	24-28	AC/DC	Blue	9	26
LB2601C28G	24-28	AC/DC	Green	9	26
LB2601C28R	24-28	AC/DC	Red	9	26
LB2601C28W	24-28	AC/DC	White	9	26
LB2601C28Y	24-28	AC/DC	Yellow	9	26
LB2601A130B	110-130	AC	Blue	9	26
LB2601A130G	110-130	AC	Green	9	26
LB2601A130R	110-130	AC	Red	9	26
LB2601A130W	110-130	AC	White	9	26
LB2601A130Y	110-130	AC	Yellow	9	26
LB2601A235B	235	AC	Blue	9	26
LB2601A235G	235	AC	Green	9	26
LB2601A235R	235	AC	Red	9	26
LB2601A235W	235	AC	White	9	26
LB2601A235Y	235	AC	Yellow	9	26

Miniature lamps
Ba9s Multi LED
T10X28mm



Item number	Voltage	AC/DC	Colour	ø (mm)	l (mm)
LB280828G	24-28	AC/DC	Green	10	28
LB280828R	24-28	AC/DC	Red	10	28
LB280828Y	24-28	AC/DC	Yellow	10	28

Miniature lamps
E10 Single LED
T10X24mm



Item number	Voltage	AC/DC	Colour	ø (mm)	l (mm)
LE2401C06G	6	AC/DC	Green	10	24
LE2401C06R	6	AC/DC	Red	10	24
LE2401C06W	6	AC/DC	White	10	24
LE2401C06Y	6	AC/DC	Yellow	10	24
LE2401C12B	12	AC/DC	Blue	10	24
LE2401C12G	12	AC/DC	Green	10	24
LE2401C12R	12	AC/DC	Red	10	24
LE2401C12W	12	AC/DC	White	10	24
LE2401C12Y	12	AC/DC	Yellow	10	24
LE2401C28B	24-28	AC/DC	Blue	10	24
LE2401C28G	24-28	AC/DC	Green	10	24
LE2401C28R	24-28	AC/DC	Red	10	24
LE2401C28W	24-28	AC/DC	White	10	24
LE2401C28Y	24-28	AC/DC	Yellow	10	24
LE2401C36B	36	AC/DC	Blue	10	24
LE2401C36G	36	AC/DC	Green	10	24
LE2401C36R	36	AC/DC	Red	10	24
LE2401C36W	36	AC/DC	White	10	24
LE2401C36Y	36	AC/DC	Yellow	10	24
LE2401C48B	48	AC/DC	Blue	10	24
LE2401C48G	48	AC/DC	Green	10	24
LE2401C48R	48	AC/DC	Red	10	24
LE2401C48W	48	AC/DC	White	10	24
LE2401C48Y	48	AC/DC	Yellow	10	24
LE2401C60B	60	AC/DC	Blue	10	24
LE2401C60G	60	AC/DC	Green	10	24
LE2401C60R	60	AC/DC	Red	10	24
LE2401C60W	60	AC/DC	White	10	24
LE2401C60Y	60	AC/DC	Yellow	10	24
LE2401C130B	110-130	AC/DC	Blue	10	24

Miniature lamps

E10 Single LED

T10X24mm

Item number	Voltage	AC/DC	Colour	ø (mm)	l (mm)
LE2401C130G	110-130	AC/DC	Green	10	24
LE2401C130R	110-130	AC/DC	Red	10	24
LE2401C130W	110-130	AC/DC	White	10	24
LE2401C130Y	110-130	AC/DC	Yellow	10	24
LE2401C235B	235	AC/DC	Blue	10	24
LE2401C235G	235	AC/DC	Green	10	24
LE2401C235R	235	AC/DC	Red	10	24
LE2401C235W	235	AC/DC	White	10	24
LE2401C235Y	235	AC/DC	Yellow	10	24

Miniature lamps
E10 Single LED
T9X26mm

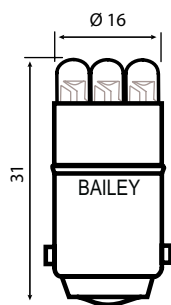


Item number	Voltage	AC/DC	Colour	ø (mm)	l (mm)
LE2601C12B	12	AC/DC	Blue	9	26
LE2601C12G	12	AC/DC	Green	9	26
LE2601C12R	12	AC/DC	Red	9	26
LE2601C12W	12	AC/DC	White	9	26
LE2601C12Y	12	AC/DC	Yellow	9	26
LE2601C28B	24-28	AC/DC	Blue	9	26
LE2601C28G	24-28	AC/DC	Green	9	26
LE2601C28R	24-28	AC/DC	Red	9	26
LE2601C28W	24-28	AC/DC	White	9	26
LE2601C28Y	24-28	AC/DC	Yellow	9	26
LE2601C60W	60	AC/DC	White	9	26

Miniature lamps

Ba15d Single LED

T16X31mm



With 3 single LEDs

Item number	Voltage	AC/DC	Colour	ø (mm)	l (mm)
LB3003C006B	6	AC/DC	Blue	16	31
LB3003C006G	6	AC/DC	Green	16	31
LB3003C006R	6	AC/DC	Red	16	31
LB3003C006W	6	AC/DC	White	16	31
LB3003C006Y	6	AC/DC	Yellow	16	31
LB3003C012B	12	AC/DC	Blue	16	31
LB3003C012G	12	AC/DC	Green	16	31
LB3003C012R	12	AC/DC	Red	16	31
LB3003C012W	12	AC/DC	White	16	31
LB3003C012Y	12	AC/DC	Yellow	16	31
LB3003C028B	24-28	AC/DC	Blue	16	31
LB3003C028G	24-28	AC/DC	Green	16	31
LB3003C028R	24-28	AC/DC	Red	16	31
LB3003C028W	24-28	AC/DC	White	16	31
LB3003C028Y	24-28	AC/DC	Yellow	16	31
LB3003C030W	30	AC/DC	White	16	31
LB3003C036B	36	AC/DC	Blue	16	31
LB3003C036G	36	AC/DC	Green	16	31
LB3003C036R	36	AC/DC	Red	16	31
LB3003C036W	36	AC/DC	White	16	31
LB3003C048B	48	AC/DC	Blue	16	31
LB3003C048G	48	AC/DC	Green	16	31
LB3003C048R	48	AC/DC	Red	16	31
LB3003C048W	48	AC/DC	White	16	31
LB3003C048Y	48	AC/DC	Yellow	16	31
LB3003C060B	60	AC/DC	Blue	16	31
LB3003C060G	60	AC/DC	Green	16	31
LB3003C060R	60	AC/DC	Red	16	31
LB3003C060W	60	AC/DC	White	16	31
LB3003C130B	110-130	AC/DC	Blue	16	31

Miniature lamps

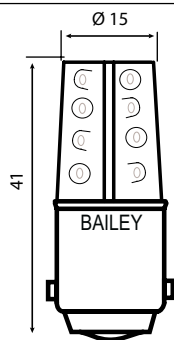
Ba15d Single LED

T16X31mm

Item number	Voltage	AC/DC	Colour	ø (mm)	l (mm)
LB3003C130G	110-130	AC/DC	Green	16	31
LB3003C130R	110-130	AC/DC	Red	16	31
LB3003C130W	110-130	AC/DC	White	16	31
LB3003C130Y	110-130	AC/DC	Yellow	16	31
LB3003A235B	235	AC	Blue	16	31
LB3003A235G	235	AC	Green	16	31
LB3003A235R	235	AC	Red	16	31
LB3003A235W	235	AC	White	16	31
LB3003A235Y	235	AC	Yellow	16	31

Miniature lamps Ba15d Stack Light

T15X41mm



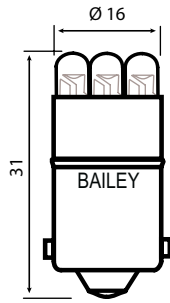
For signal towers and machine control

Item number	Voltage	AC/DC	Colour	ø (mm)	l (mm)
LBS4108CB12B	12	AC/DC	Blue	15	41
LBS4108CB12G	12	AC/DC	Green	15	41
LBS4108CB12R	12	AC/DC	Red	15	41
LBS4108CB12W	12	AC/DC	White	15	41
LBS4108CB12Y	12	AC/DC	Yellow	15	41
LBS4108CB30B	18-30	AC/DC	Blue	15	41
LBS4108CB30G	18-30	AC/DC	Green	15	41
LBS4108CB30R	18-30	AC/DC	Red	15	41
LBS4108CB30W	18-30	AC/DC	White	15	41
LBS4108CB30Y	18-30	AC/DC	Yellow	15	41
LBS4108AK230B	110-230	AC	Blue	15	41
LBS4108AK230G	110-230	AC	Green	15	41
LBS4108AK230R	110-230	AC	Red	15	41
LBS4108AK230W	110-230	AC	White	15	41
LBS4108AK230Y	110-230	AC	Yellow	15	41

Miniature lamps

Ba15s Single LED

T16X31mm



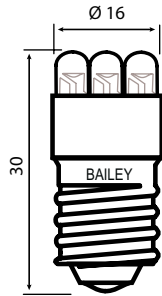
With 3 single LEDs

Item number	Voltage	AC/DC	Colour	ø (mm)	l (mm)
LS3003C006B	6	AC/DC	Blue	16	31
LS3003C006G	6	AC/DC	Green	16	31
LS3003C006R	6	AC/DC	Red	16	31
LS3003C006W	6	AC/DC	White	16	31
LS3003C006Y	6	AC/DC	Yellow	16	31
LS3003C012B	12	AC/DC	Blue	16	31
LS3003C012G	12	AC/DC	Green	16	31
LS3003C012R	12	AC/DC	Red	16	31
LS3003C012W	12	AC/DC	White	16	31
LS3003C012Y	12	AC/DC	Yellow	16	31
LS3003C028B	24-28	AC/DC	Blue	16	31
LS3003C028G	24-28	AC/DC	Green	16	31
LS3003C028R	24-28	AC/DC	Red	16	31
LS3003C028W	24-28	AC/DC	White	16	31
LS3003C028Y	24-28	AC/DC	Yellow	16	31
LS3003C036B	36	AC/DC	Blue	16	31
LS3003C036G	36	AC/DC	Green	16	31
LS3003C036R	36	AC/DC	Red	16	31
LS3003C036W	36	AC/DC	White	16	31
LS3003C036Y	36	AC/DC	Yellow	16	31
LS3003C060B	60	AC/DC	Blue	16	31
LS3003C060G	60	AC/DC	Green	16	31
LS3003C060R	60	AC/DC	Red	16	31
LS3003C060W	60	AC/DC	White	16	31
LS3003C060Y	60	AC/DC	Yellow	16	31
LS3003C130B	130	AC/DC	Blue	16	31
LS3003C130G	130	AC/DC	Green	16	31
LS3003C130R	130	AC/DC	Red	16	31
LS3003C130W	130	AC/DC	White	16	31
LS3003C130Y	130	AC/DC	Yellow	16	31

Miniature lamps
Ba15s Single LED
T16X31mm

Item number	Voltage	AC/DC	Colour	ø (mm)	l (mm)
LS3003A235B	235	AC	Blue	16	31
LS3003A235G	235	AC	Green	16	31
LS3003A235R	235	AC	Red	16	31
LS3003A235W	235	AC	White	16	31
LS3003A235Y	235	AC	Yellow	16	31

Miniature lamps
E12 Single LED
T16X30mm



With 3 single LEDs

Item number	Voltage	AC/DC	Colour	Ø (mm)	l (mm)
LE2903C006B	6	AC/DC	Blue	16	30
LE2903C006G	6	AC/DC	Green	16	30
LE2903C006R	6	AC/DC	Red	16	30
LE2903C006W	6	AC/DC	White	16	30
LE2903C006Y	6	AC/DC	Yellow	16	30
LE2903C012B	12	AC/DC	Blue	16	30
LE2903C012G	12	AC/DC	Green	16	30
LE2903C012R	12	AC/DC	Red	16	30
LE2903C012W	12	AC/DC	White	16	30
LE2903C012Y	12	AC/DC	Yellow	16	30
LE2903C028B	24-28	AC/DC	Blue	16	30
LE2903C028G	24-28	AC/DC	Green	16	30
LE2903C028R	24-28	AC/DC	Red	16	30
LE2903C028W	24-28	AC/DC	White	16	30
LE2903C028Y	24-28	AC/DC	Yellow	16	30
LE2903C036B	36	AC/DC	Blue	16	30
LE2903C036G	36	AC/DC	Green	16	30
LE2903C036R	36	AC/DC	Red	16	30
LE2903C036W	36	AC/DC	White	16	30
LE2903C036Y	36	AC/DC	Yellow	16	30
LE2903C060B	60	AC/DC	Blue	16	30
LE2903C060G	60	AC/DC	Green	16	30
LE2903C060R	60	AC/DC	Red	16	30
LE2903C060W	60	AC/DC	White	16	30
LE2903C060Y	60	AC/DC	Yellow	16	30
LE2903C130B	130	AC/DC	Blue	16	30
LE2903C130G	130	AC/DC	Green	16	30
LE2903C130R	130	AC/DC	Red	16	30
LE2903C130W	130	AC/DC	White	16	30
LE2903C130Y	130	AC/DC	Yellow	16	30

Miniature lamps

E12 Single LED

T16X30mm

Item number	Voltage	AC/DC	Colour	ø (mm)	l (mm)
LE2903A235B	235	AC	Blue	16	30
LE2903A235G	235	AC	Green	16	30
LE2903A235R	235	AC	Red	16	30
LE2903A235W	235	AC	White	16	30
LE2903A235Y	235	AC	Yellow	16	30

Miniature lamps
E14 Single LED
T13X30mm

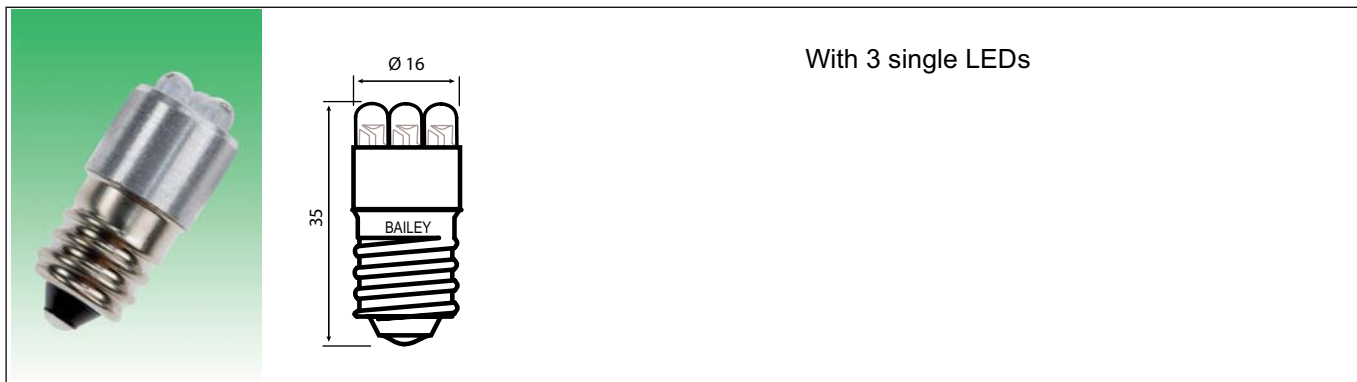


Item number	Voltage	AC/DC	Colour	ø (mm)	l (mm)
LE3001C028B	24-28	AC/DC	Blue	13	30
LE3001C028G	24-28	AC/DC	Green	13	30
LE3001C028A	24-28	AC/DC	Orange	13	30
LE3001C028R	24-28	AC/DC	Red	13	30
LE3001C028W	24-28	AC/DC	White	13	30
LE3001C028Y	24-28	AC/DC	Yellow	13	30
LE3001A230B	230	AC	Blue	13	30
LE3001A230G	230	AC	Green	13	30
LE3001A230A	230	AC	Orange	13	30
LE3001A230R	230	AC	Red	13	30
LE3001A230W	230	AC	White	13	30
LE3001A230Y	230	AC	Yellow	13	30

Miniature lamps

E14 Single LED

T16X35mm

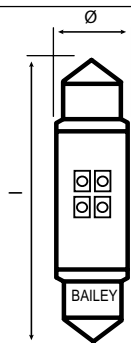


Item number	Voltage	AC/DC	Colour	ø (mm)	l (mm)
LE3503C012B	12	AC/DC	Blue	16	35
LE3503C012G	12	AC/DC	Green	16	35
LE3503C012R	12	AC/DC	Red	16	35
LE3503C012W	12	AC/DC	White	16	35
LE3503C012Y	12	AC/DC	Yellow	16	35
LE3503C028B	24-28	AC/DC	Blue	16	35
LE3503C028G	24-28	AC/DC	Green	16	35
LE3503C028R	24-28	AC/DC	Red	16	35
LE3503C028W	24-28	AC/DC	White	16	35
LE3503C028Y	24-28	AC/DC	Yellow	16	35
LE3503C036R	36	AC/DC	Red	16	35
LE3503C036W	36	AC/DC	White	16	35
LE3503C036Y	36	AC/DC	Yellow	16	35
LE3503C060B	60	AC/DC	Blue	16	35
LE3503C060G	60	AC/DC	Green	16	35
LE3503C060R	60	AC/DC	Red	16	35
LE3503C060W	60	AC/DC	White	16	35
LE3503C060Y	60	AC/DC	Yellow	16	35
LE3503C130B	130	AC/DC	Blue	16	35
LE3503C130G	130	AC/DC	Green	16	35
LE3503C130R	130	AC/DC	Red	16	35
LE3503C130W	130	AC/DC	White	16	35
LE3503C130Y	130	AC/DC	Yellow	16	35
LE3503A235B	235	AC	Blue	16	35
LE3503A235G	235	AC	Green	16	35
LE3503A235R	235	AC	Red	16	35
LE3503A235W	235	AC	White	16	35
LE3503A235Y	235	AC	Yellow	16	35

Miniature lamps

Festoon lamps Single LED

S8.5



Item number	Voltage	AC/DC	Colour	Number of LEDs	ø (mm)	l (mm)
LS83104C28B	24-28	AC/DC	Blue	4	10	31
LS83104C28G	24-28	AC/DC	Green	4	10	31
LS83104C28R	24-28	AC/DC	Red	4	10	31
LS83104C28W	24-28	AC/DC	White	4	10	31
LS83104C28Y	24-28	AC/DC	Yellow	4	10	31
LS83904C28B	24-28	AC/DC	Blue	4	10	39
LS83904C28G	24-28	AC/DC	Green	4	10	39
LS83904C28R	24-28	AC/DC	Red	4	10	39
LS83904C28W	24-28	AC/DC	White	4	10	39
LS83904C28Y	24-28	AC/DC	Yellow	4	10	39
LS84204C28B	24-28	AC/DC	Blue	4	10	42
LS84204C28G	24-28	AC/DC	Green	4	10	42
LS84204C28R	24-28	AC/DC	Red	4	10	42
LS84204C28W	24-28	AC/DC	White	4	10	42
LS84204C28Y	24-28	AC/DC	Yellow	4	10	42
LS84406C12B	12	AC/DC	Blue	6	11	44
LS84406C12G	12	AC/DC	Green	6	11	44
LS84406C12R	12	AC/DC	Red	6	11	44
LS84406C12W	12	AC/DC	White	6	11	44
LS84406C12Y	12	AC/DC	Yellow	6	11	44
LS84406C28B	24-28	AC/DC	Blue	6	11	44
LS84406C28G	24-28	AC/DC	Green	6	11	44
LS84406C28R	24-28	AC/DC	Red	6	11	44
LS84406C28W	24-28	AC/DC	White	6	11	44
LS84406C28Y	24-28	AC/DC	Yellow	6	11	44

CML Panel Mount Indicators

Primary light source for indication and backlighting applications

Features and benefits:

- Cost effectiveness
- Low power consumption
- Shock and vibration proof
- Extremely long lifetime
- High degree of protection
- Easy to install
- IP ratings 40 and 67
- Connection by solder/faston tab terminals
- Voltages: without or with resistor (12V, 24V, 28V, 130V and 230V)
- Colours: red, green, yellow, blue, white, bi-colour (6mm) and tri-colour (8mm & 14mm)

Technical Data:

- Ambient temperature: – 25°C – + 60°C
- Storage temperature: – 25°C – + 60°C
- Life: up to 100.000 hours

Approvals:



Available bezels (for 6mm and 8mm Indicators):



flat



prominent



recessed

Available colours:



satin chrome



black chrome



matt chrome



black plastic (16mm, 22mm)

Available lens shapes:



round



flat

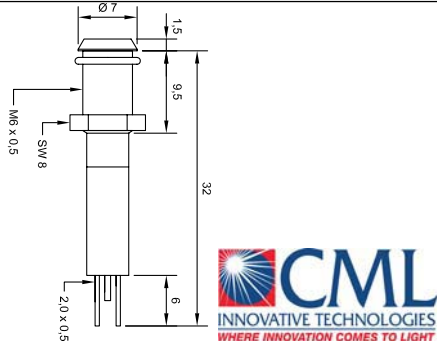


conical

Panel cut out sizes and lens shape:

	6mm	8mm	12mm	14mm	16mm	19mm	22mm
Round	✓	✓	✓	✓	✓	✓	✓
Flat	✓	✓			✓	✓	✓
Conical					✓	✓	

Panel Mount Indicators
Mounting hole 6mm
Superflat Bezel IP40



Product Features:

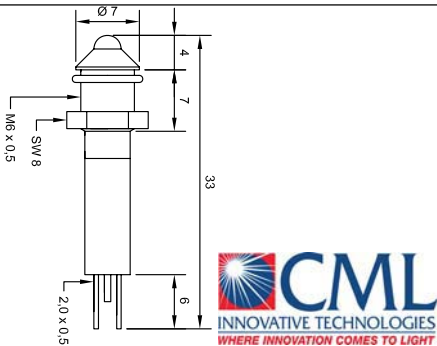
- With resistor
- Maximum panel thickness 8.5mm

Also available in:

- 12V DC
- Black chrome bezel
- Matt chrome bezel

Item number	Voltage	AC/DC	mA (DC)	Colour	Bezel
CML19000351	24	DC	15	Green	Satin Chrome
CML19000352	24	DC	15	Yellow	Satin Chrome
CML19000353	24	DC	15	Super Red	Satin Chrome

Panel Mount Indicators
Mounting hole 6mm
Prominent (Exterior) Bezel IP40



Product Features:

- With resistor
- Maximum panel thickness 8.5mm

Also available in:

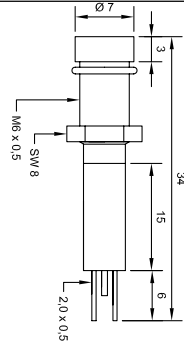
- 12V DC
- Black chrome bezel
- Matt chrome bezel

Item number	Voltage	AC/DC	mA (DC)	Colour	Bezel
CML19020351	24	DC	15	Green	Satin Chrome
CML19020352	24	DC	15	Yellow	Satin Chrome
CML19020353	24	DC	15	Super Red	Satin Chrome
CML19020357	24	DC	15	Blue	Satin Chrome
CML1902035W	24	DC	15	White	Satin Chrome

Panel Mount Indicators

Mounting hole 6mm

Recessed (Interior) Bezel IP40



Product Features:

- With resistor
- Maximum panel thickness 8mm

Also available in:

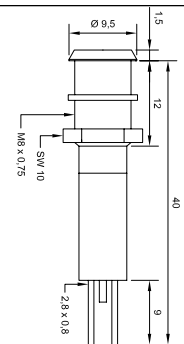
- 12V DC
- Black chrome bezel
- Matt chrome bezel

Item number	Voltage	AC/DC	mA (DC)	Colour	Bezel
CML19030351	24	DC	15	Green	Satin Chrome
CML19030352	24	DC	15	Yellow	Satin Chrome
CML19030353	24	DC	15	Super Red	Satin Chrome
CML19030357	24	DC	15	Blue	Satin Chrome
CML1903035W	24	DC	15	White	Satin Chrome

Panel Mount Indicators

Mounting hole 8mm

Superflat Bezel IP40



Product Features:

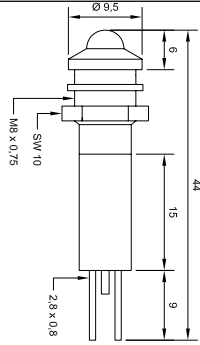
- With resistor
- Maximum panel thickness 10mm

Also available in:

- 12V DC
- Black chrome bezel
- Matt chrome bezel

Item number	Voltage	AC/DC	mA (DC)	Colour	Bezel
CML19010351	24	DC	20	Green	Satin Chrome
CML19010352	24	DC	20	Yellow	Satin Chrome
CML19010353	24	DC	20	Super Red	Satin Chrome

Panel Mount Indicators
Mounting hole 8mm
Prominent (Exterior) Bezel IP40



Product Features:

- With resistor
- Maximum panel thickness 5.5mm

Also available in:

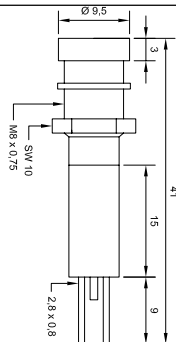
- Matt chrome bezel

Item number	Voltage	AC/DC	mA (DC)	Colour	Bezel
CML19040251	12	DC	20	Green	Satin Chrome
CML19040252	12	DC	20	Yellow	Satin Chrome
CML19040253	12	DC	20	Red	Satin Chrome
CML19040257	12	DC	20	Blue	Satin Chrome
CML19040351	24	DC	20	Green	Satin Chrome
CML19040352	24	DC	20	Yellow	Satin Chrome
CML19040353	24	DC	20	Super Red	Satin Chrome
CML19040357	24	DC	20	Blue	Satin Chrome
CML19041351	24	DC	20	Green	Black Chrome
CML19041352	24	DC	20	Yellow	Black Chrome
CML19041353	24	DC	20	Super Red	Black Chrome
CML19041357	24	DC	20	Blue	Black Chrome

Panel Mount Indicators

Mounting hole 8mm

Recessed (Interior) Bezel IP40



Product Features:

- With resistor
- Maximum panel thickness 8mm

Also available in:

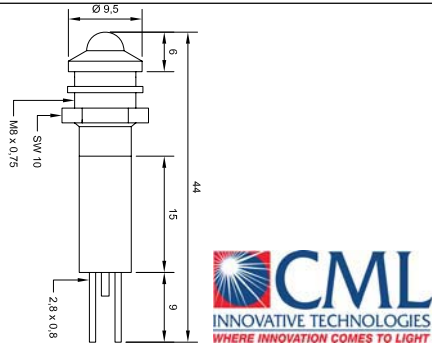
- Matt chrome bezel

Item number	Voltage	AC/DC	mA (DC)	Colour	Bezel
CML19050251	12	DC	20	Green	Satin Chrome
CML19050252	12	DC	20	Yellow	Satin Chrome
CML19050253	12	DC	20	Super Red	Satin Chrome
CML19050257	12	DC	20	Blue	Satin Chrome
CML19050351	24	DC	20	Green	Satin Chrome
CML19050352	24	DC	20	Yellow	Satin Chrome
CML19050353	24	DC	20	Super Red	Satin Chrome
CML19050357	24	DC	20	Blue	Satin Chrome
CML19051351	24	DC	20	Green	Black Chrome
CML19051352	24	DC	20	Yellow	Black Chrome
CML19051353	24	DC	20	Super Red	Black Chrome
CML19051357	24	DC	20	Blue	Black Chrome

Panel Mount Indicators

Mounting hole 8mm

Prominent (Exterior) Bezel IP67 Sunlight Visibility



Product Features:

- With resistor and half-wave rectifier
- Maximum panel thickness 5.5mm
- Also useable on AC with a typical light reduction of around 25%

Also available in:

- 12V AC/DC
- Matt chrome bezel

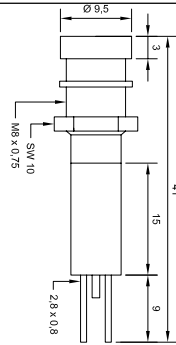
Sunlight-Visible-Series: In addition they reach a maximum output of illumination intensity. This extremely bright light is still readable in a very bright environment or daylight.

Item number	Voltage	AC/DC	mA (DC)	Colour	Bezel
CML19080350	24	AC/DC	17	Red	Satin Chrome
CML19080352	24	AC/DC	17	Yellow	Satin Chrome
CML19080355	24	AC/DC	17	Green	Satin Chrome
CML19080357	24	AC/DC	17	Blue	Satin Chrome
CML1908035W	24	AC/DC	17	White	Satin Chrome
CML19081350	24	AC/DC	17	Red	Black Chrome
CML19081352	24	AC/DC	17	Yellow	Black Chrome
CML19081355	24	AC/DC	17	Green	Black Chrome
CML19081357	24	AC/DC	17	Blue	Black Chrome
CML1908135W	24	AC/DC	17	White	Black Chrome

Panel Mount Indicators

Mounting hole 8mm

Recessed (Interior) Bezel IP67 Sunlight Visibility



Product Features:

- With resistor and half-wave rectifier
- Maximum panel thickness 5.5mm
- Also useable on AC with a typical light reduction of around 25%

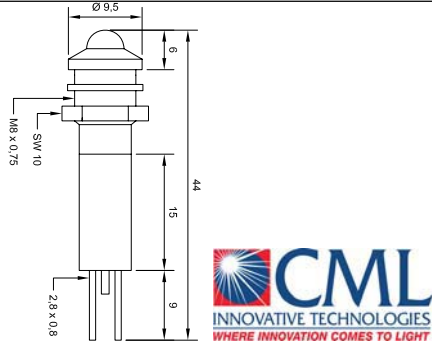
Also available in:

- Matt chrome bezel

Sunlight-Visible-Series: In addition they reach a maximum output of illumination intensity. This extremely bright light is still readable in a very bright environment or daylight.

Item number	Voltage	AC/DC	mA (DC)	Colour	Bezel
CML19090350	24	AC/DC	17	Red	Satin Chrome
CML19090352	24	AC/DC	17	Yellow	Satin Chrome
CML19090355	24	AC/DC	17	Green	Satin Chrome
CML19090357	24	AC/DC	17	Blue	Satin Chrome
CML1909035W	24	AC/DC	17	White	Satin Chrome
CML19091250	12	AC/DC	17	Red	Black Chrome
CML19091252	12	AC/DC	17	Yellow	Black Chrome
CML19091255	12	AC/DC	17	Green	Black Chrome
CML19091257	12	AC/DC	17	Blue	Black Chrome
CML1909125W	12	AC/DC	17	White	Black Chrome

Panel Mount Indicators
Mounting hole 8mm
Prominent (Exterior) Bezel IP67



Product Features:

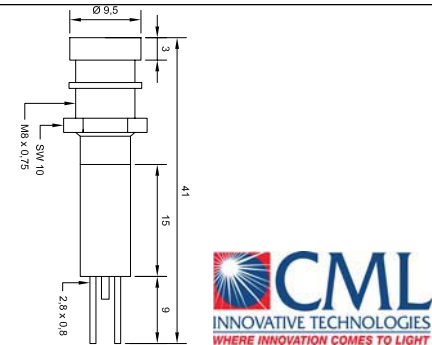
- With resistor and half-wave rectifier
- Maximum panel thickness 5.5mm
- With white diffused lenses: high contrast ratio between on-off

Also available in:

- 12V AC/DC
- Satin chrome bezel
- Matt chrome bezel

Item number	Voltage	AC/DC	mA (DC)	Colour	Bezel
CML190A1350	24	AC/DC	17	Red	Black Chrome
CML190A1351	24	AC/DC	17	Green	Black Chrome
CML190A1352	24	AC/DC	17	Yellow	Black Chrome

Panel Mount Indicators
Mounting hole 8mm
Recessed (Interior) Bezel IP67



Product Features:

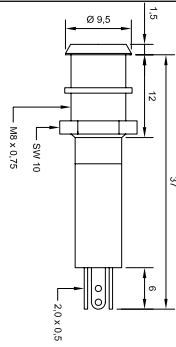
- With resistor and half-wave rectifier
- Maximum panel thickness 5.5mm
- With white diffused lenses: high contrast ratio between on-off

Also available in:

- 12V AC/DC
- Satin chrome bezel
- Black chrome bezel

Item number	Voltage	AC/DC	mA (DC)	Colour	Bezel
CML190B2350	24	AC/DC	17	Red	Matt Chrome
CML190B2351	24	AC/DC	17	Green	Matt Chrome
CML190B2352	24	AC/DC	17	Yellow	Matt Chrome

Panel Mount Indicators
Mounting hole 8mm
Superflat Bezel IP40 Tri-Colour LED



Product Features:

- With resistor
- Maximum panel thickness 10mm

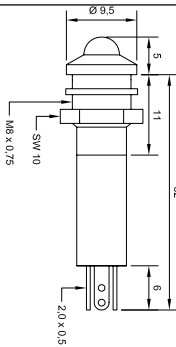
Operation modes: red, green or yellow - both diodes produce yellow as a mixed colour

Also available in:

- Black chrome bezel
- Matt chrome bezel

Item number	Voltage	AC/DC	mA (DC)	Colour	Bezel
CML19100254	12	DC	15/15/30	RGY	Satin Chrome
CML19100354	24	DC	15/15/30	RGY	Satin Chrome
CML19101254	12	DC	15/15/30	RGY	Black Chrome
CML19101354	24	DC	15/15/30	RGY	Black Chrome

Panel Mount Indicators
Mounting hole 8mm
Prominent (Exterior) Bezel IP40 Tri-Colour LED



Product Features:

- With resistor
- Maximum panel thickness 5.5mm

Operation modes: red, green or yellow - both diodes produce yellow as a mixed colour

Also available in:

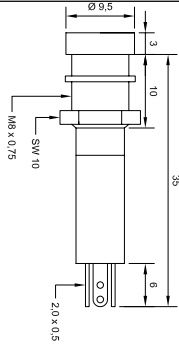
- Black chrome bezel
- Matt chrome bezel

Item number	Voltage	AC/DC	mA (DC)	Colour	Bezel
CML19TR0A12	12	DC	20/20/40	RGY	Satin Chrome
CML19TR0A24	24	DC	20/20/40	RGY	Satin Chrome

Panel Mount Indicators

Mounting hole 8mm

Recessed (Interior) Bezel IP40 Tri-Colour LED



Product Features:

- With resistor
- Maximum panel thickness 8mm

Operation modes: red, green or yellow - both diodes produce yellow as a mixed colour

Also available in:


- Black chrome bezel
- Matt chrome bezel

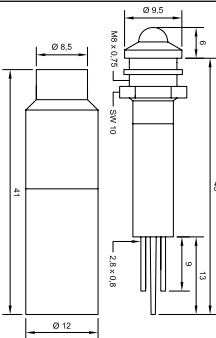

Item number	Voltage	AC/DC	mA (DC)	Colour	Bezel
CML19TR0112	12	DC	20/20/40	RGY	Satin Chrome
CML19TR0124	24	DC	20/20/40	RGY	Satin Chrome

Panel Mount Indicators

Mounting hole 8mm

Prominent (Exterior) Bezel IP67 Protection Tube



Product Features:

- Maximum panel thickness 5.5mm
- With white diffused lenses: high contrast ratio between on-off

Also available in:

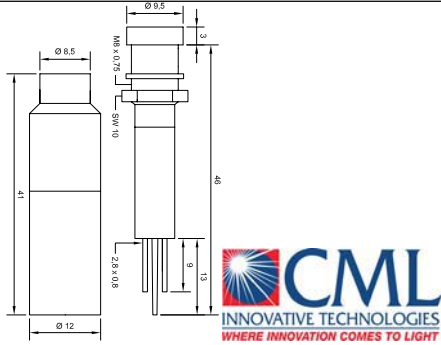
- Matt chrome bezel

Item number	Voltage	AC/DC	mA (AC)	Colour	Bezel
CML19510330	130	AC	5	Red	Satin Chrome
CML19510331	130	AC	5	Green	Satin Chrome
CML19510332	130	AC	5	Yellow	Satin Chrome
CML19510430	230	AC	3	Red	Satin Chrome
CML19510431	230	AC	3	Green	Satin Chrome
CML19510432	230	AC	3	Yellow	Satin Chrome
CML19511330	130	AC	5	Red	Black Chrome
CML19511331	130	AC	5	Green	Black Chrome
CML19511332	130	AC	5	Yellow	Black Chrome
CML19511430	230	AC	3	Red	Black Chrome
CML19511431	230	AC	3	Green	Black Chrome
CML19511432	230	AC	3	Yellow	Black Chrome

Panel Mount Indicators

Mounting hole 8mm

Recessed (Interior) Bezel IP67 Protection Tube



Product Features:

- Maximum panel thickness 5.5mm
- With white diffused lenses: high contrast ratio between on-off

Also available in:

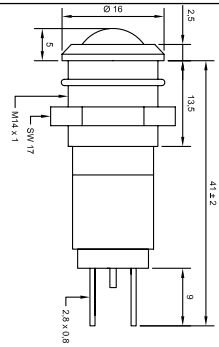
- 130V AC
- Black chrome bezel
- Matt chrome bezel

Item number	Voltage	AC/DC	mA (AC)	Colour	Bezel
CML19500430	230	AC	3	Red	Satin Chrome
CML19500431	230	AC	3	Green	Satin Chrome
CML19500432	230	AC	3	Yellow	Satin Chrome

Panel Mount Indicators

Mounting hole 14mm

Standard Bezel IP40



Product Features:

- With resistor
- Maximum panel thickness 11mm

Also available in:

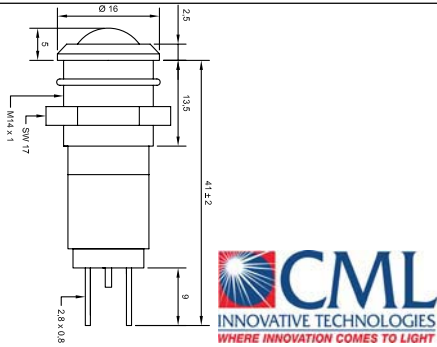
- Matt chrome bezel

Item number	Voltage	AC/DC	mA (DC)	Colour	Bezel
CML19210250	12	DC	20	Red	Satin Chrome
CML19210251	12	DC	20	Green	Satin Chrome
CML19210252	12	DC	20	Yellow	Satin Chrome
CML19210350	24	DC	20	Red	Satin Chrome
CML19210351	24	DC	20	Green	Satin Chrome
CML19210352	24	DC	20	Yellow	Satin Chrome
CML19211350	24	DC	20	Red	Black Chrome
CML19211351	24	DC	20	Green	Black Chrome
CML19211352	24	DC	20	Yellow	Black Chrome

Panel Mount Indicators

Mounting hole 14mm

Standard Bezel IP67 Sunlight Visibility



Product Features:

- With resistor and half-wave rectifier
- Maximum panel thickness 11mm
- Also useable on AC with a typical light reduction of around 25%

Also available in:

- Matt chrome bezel

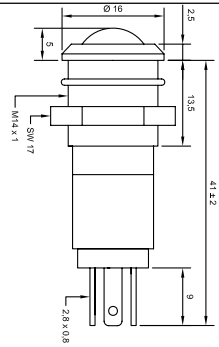
Sunlight-Visible-Series: In addition they reach a maximum output of illumination intensity. This extremely bright light is still readable in a very bright environment or daylight.

Item number	Voltage	AC/DC	mA (DC)	Colour	Bezel
CML192A0250	12	AC/DC	17	Red	Satin Chrome
CML192A0252	12	AC/DC	17	Yellow	Satin Chrome
CML192A0255	12	AC/DC	17	Green	Satin Chrome
CML192A0257	12	AC/DC	17	Blue	Satin Chrome
CML192A025W	12	AC/DC	17	White	Satin Chrome
CML192A0350	24	AC/DC	17	Red	Satin Chrome
CML192A0352	24	AC/DC	17	Yellow	Satin Chrome
CML192A0355	24	AC/DC	17	Green	Satin Chrome
CML192A0357	24	AC/DC	17	Blue	Satin Chrome
CML192A035W	24	AC/DC	17	White	Satin Chrome
CML192A1250	12	AC/DC	17	Red	Black Chrome
CML192A1252	12	AC/DC	17	Yellow	Black Chrome
CML192A1255	12	AC/DC	17	Green	Black Chrome
CML192A1257	12	AC/DC	17	Blue	Black Chrome
CML192A125W	12	AC/DC	17	White	Black Chrome
CML192A1350	24	AC/DC	17	Red	Black Chrome
CML192A1352	24	AC/DC	17	Yellow	Black Chrome
CML192A1355	24	AC/DC	17	Green	Black Chrome
CML192A1357	24	AC/DC	17	Blue	Black Chrome
CML192A135W	24	AC/DC	17	White	Black Chrome

Panel Mount Indicators

Mounting hole 14mm

Standard Bezel IP40 Tri-Colour LED



Product Features:

- With resistor
- Maximum panel thickness 11mm

Operation modes: red, green or yellow - both diodes produce yellow as a mixed colour

Also available in:

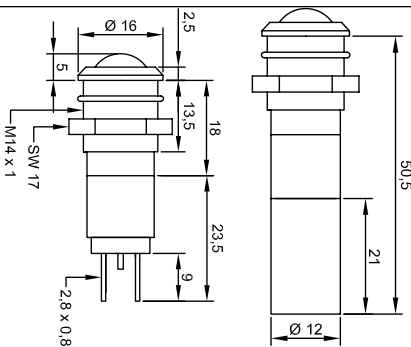
- Black chrome bezel
- Matt chrome bezel

Item number	Voltage	AC/DC	mA (DC)	Colour	Bezel
CML19240254	12	DC	20/20/40	RGY	Satin Chrome
CML19240354	24	DC	20/20/40	RGY	Satin Chrome

Panel Mount Indicators

Mounting hole 14mm

Standard Bezel IP40 Protection Tube



Product Features:

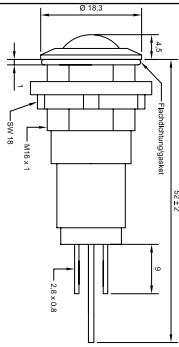
- Maximum panel thickness 11mm
- VDE approved, UL listed

Also available in:

- 130V AC
- Matt chrome bezel

Item number	Voltage	AC/DC	mA (AC)	Colour	Bezel
CML19350230	230	AC	3	Red	Satin Chrome
CML19350231	230	AC	3	Green	Satin Chrome
CML19350233	230	AC	3	Yellow	Satin Chrome
CML19351230	230	AC	3	Red	Black Chrome
CML19351231	230	AC	3	Green	Black Chrome
CML19351233	230	AC	3	Yellow	Black Chrome

Panel Mount Indicators
Mounting hole 16mm
Standard Bezel IP67 round lens



Product Features:

- With integrated resistor and half-wave rectifier
- Maximum panel thickness 11mm
- Also useable on AC with a typical light reduction of around 25%

Also available in:

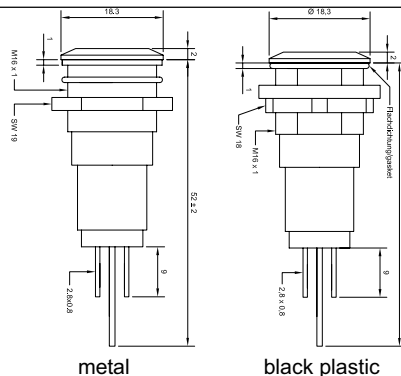
- 12V AC/DC
- Satin chrome bezel
- Black chrome bezel
- Matt chrome bezel

Item number	Voltage	AC/DC	mA (DC)	Colour	Bezel
CML19371350	24	AC/DC	16	Red	Black Plastic
CML19371352	24	AC/DC	16	Yellow	Black Plastic
CML19371355	24	AC/DC	14	Green	Black Plastic
CML19371357	24	AC/DC	14	Blue	Black Plastic
CML1937135W	24	AC/DC	14	White	Black Plastic

Panel Mount Indicators

Mounting hole 16mm

Standard Bezel IP67 flat lens



Product Features:

- With integrated resistor and half-wave rectifier
- Maximum panel thickness 11mm
- Also useable on AC with a typical light reduction of around 25%

Also available in:

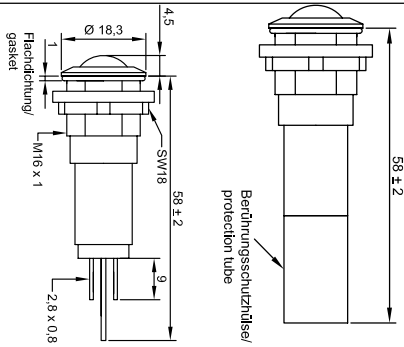
- 12V AC/DC
- Black chrome bezel
- Matt chrome bezel

Item number	Voltage	AC/DC	mA (DC)	Colour	Bezel
CML19380350M	24	AC/DC	16	Red	Satin Chrome
CML19380352M	24	AC/DC	16	Yellow	Satin Chrome
CML19380355M	24	AC/DC	14	Green	Satin Chrome
CML19380357M	24	AC/DC	14	Blue	Satin Chrome
CML1938035WM	24	AC/DC	14	White	Satin Chrome
CML19381350	24	AC/DC	16	Red	Black Plastic
CML19381352	24	AC/DC	16	Yellow	Black Plastic
CML19381355	24	AC/DC	14	Green	Black Plastic
CML19381357	24	AC/DC	14	Blue	Black Plastic
CML1938135W	24	AC/DC	14	White	Black Plastic

Panel Mount Indicators

Mounting hole 16mm

Standard Bezel IP67 round lens Protection Tube



Product Features:

- Maximum panel thickness 11mm
- VDE approved, UL listed

Also available in:

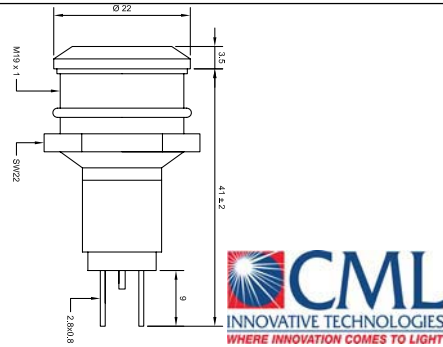
- 130V AC
- Satin chrome bezel
- Black chrome bezel
- Matt chrome bezel

Item number	Voltage	AC/DC	mA (AC)	Colour	Bezel
CML19401230	230	AC	3	Red	Black Plastic
CML19401232	230	AC	3	Yellow	Black Plastic
CML19401235	230	AC	3	Green	Black Plastic
CML19401237	230	AC	3	Blue	Black Plastic
CML1940123W	230	AC	3	White	Black Plastic

Panel Mount Indicators

Mounting hole 19mm

Standard Bezel IP67 flat lens



Product Features:

- With integrated resistor and half-wave rectifier
- Maximum panel thickness 11mm
- Also useable on AC with a typical light reduction of around 25%

Also available in:

- 12V AC/DC
- Black chrome bezel
- Matt chrome bezel

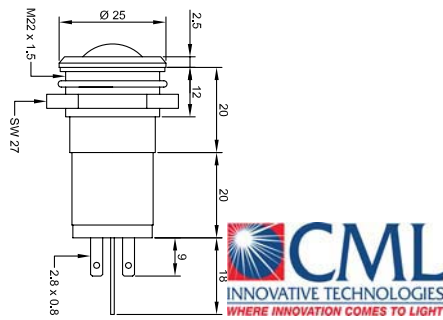


Item number	Voltage	AC/DC	mA (DC)	Colour	Bezel
CML19710350	24	AC/DC	16	Red	Satin Chrome
CML19710352	24	AC/DC	16	Yellow	Satin Chrome
CML19710355	24	AC/DC	14	Green	Satin Chrome
CML19710357	24	AC/DC	14	Blue	Satin Chrome
CML1971035W	24	AC/DC	14	White	Satin Chrome

Panel Mount Indicators

Mounting hole 22mm

Standard Bezel IP67 round lens



Product Features:

- With integrated resistor and bridge rectifier
- Maximum panel thickness 8.5mm
- Same brightness on AC or DC supply voltage

Also available in:

- 12V AC/DC
- Black plastic bezel
- Satin chrome bezel
- Matt chrome bezel



Item number	Voltage	AC/DC	mA (DC)	Colour	Bezel
CML195A1357MUC	24	AC/DC	16	Blue	Black Chrome
CML195A1351MUC	24	AC/DC	16	Green	Black Chrome
CML195A135WMUC	24	AC/DC	16	White	Black Chrome
CML195A1352MUC	24	AC/DC	16	Yellow	Black Chrome

INDEX BAILEY NUMBER

Article number	Page	Article number	Page	Article number	Page
C					
CML15015350	L 2	CML19050357	L 45	CML19351233	L 55
CML15015351	L 2	CML19051351	L 45	CML19371350	L 56
CML15015352	L 2	CML19051352	L 45	CML19371352	L 56
CML15015357	L 2	CML19051353	L 45	CML19371355	L 56
CML1501535W3D	L 2	CML19051357	L 45	CML19371357	L 56
CML1504135B3	L 14	CML19080350	L 46	CML1937135W	L 56
CML1504135UG3	L 14	CML19080352	L 46	CML19380350M	L 57
CML1504135UR3	L 14	CML19080355	L 46	CML19380352M	L 57
CML1504135UY3	L 14	CML19080357	L 46	CML19380355M	L 57
CML1504135W3	L 14	CML1908035W	L 46	CML19380357M	L 57
CML1504145B3	L 14	CML19081350	L 46	CML1938035WWM	L 57
CML1504145UG3	L 14	CML19081352	L 46	CML19381350	L 57
CML1504145UR3	L 14	CML19081355	L 46	CML19381352	L 57
CML1504145UY3	L 14	CML19081357	L 46	CML19381355	L 57
CML1504145W3	L 14	CML1908135W	L 46	CML19381357	L 57
CML1505135B3	L 15	CML19090350	L 47	CML1938135W	L 57
CML1505135UG3	L 15	CML19090352	L 47	CML19401230	L 58
CML1505135UR3	L 15	CML19090355	L 47	CML19401232	L 58
CML1505135UY3	L 15	CML19090357	L 47	CML19401235	L 58
CML1505135W3	L 15	CML1909035W	L 47	CML19401237	L 58
CML1505145B3	L 15	CML19091250	L 47	CML1940123W	L 58
CML1505145UG3	L 15	CML19091252	L 47	CML19500430	L 52
CML1505145UR3	L 15	CML19091255	L 47	CML19500431	L 52
CML1505145UY3	L 15	CML19091257	L 47	CML19500432	L 52
CML1505145W3	L 15	CML1909125W	L 47	CML19510330	L 51
CML1507145B3	L 18	CML190A1350	L 48	CML19510331	L 51
CML1507145G3	L 18	CML190A1351	L 48	CML19510332	L 51
CML1507145R3	L 18	CML190A1352	L 48	CML19510430	L 51
CML1507145W3	L 18	CML190B2350	L 48	CML19510431	L 51
CML1507145Y3	L 18	CML190B2351	L 48	CML19510432	L 51
CML1512145B3	L 7	CML190B2352	L 48	CML19511330	L 51
CML1512145UG3	L 7	CML19100254	L 49	CML19511331	L 51
CML1512145UR3	L 7	CML19100354	L 49	CML19511332	L 51
CML1512145UY3	L 7	CML19101254	L 49	CML19511430	L 51
CML1512145W3	L 7	CML19101354	L 49	CML19511431	L 51
CML19000351	L 42	CML19210250	L 53	CML19511432	L 51
CML19000352	L 42	CML19210251	L 53	CML195A1351MUC	L 59
CML19000353	L 42	CML19210252	L 53	CML195A1352MUC	L 59
CML19010351	L 43	CML19210350	L 53	CML195A1357MUC	L 59
CML19010352	L 43	CML19210351	L 53	CML195A135WWMUC	L 59
CML19010353	L 43	CML19210352	L 53	CML19710350	L 59
CML19020351	L 42	CML19211350	L 53	CML19710352	L 59
CML19020352	L 42	CML19211351	L 53	CML19710355	L 59
CML19020353	L 42	CML19211352	L 53	CML19710357	L 59
CML19020357	L 42	CML19211352	L 53	CML1971035W	L 59
CML1902035W	L 42	CML19240254	L 55	CML19TR0A12	L 49
CML19030351	L 43	CML19240354	L 55	CML19TR0A24	L 49
CML19030352	L 43	CML192A0250	L 54	CML19TR0I12	L 50
CML19030353	L 43	CML192A0252	L 54	CML19TR0I24	L 50
CML19030357	L 43	CML192A0255	L 54		
CML1903035W	L 43	CML192A0257	L 54		
CML19040251	L 44	CML192A025W	L 54		
CML19040252	L 44	CML192A0350	L 54		
CML19040253	L 44	CML192A0352	L 54		
CML19040257	L 44	CML192A0355	L 54		
CML19040351	L 44	CML192A0357	L 54		
CML19040352	L 44	CML192A035W	L 54		
CML19040353	L 44	CML192A1250	L 54		
CML19040357	L 44	CML192A1252	L 54		
CML19041351	L 44	CML192A1255	L 54		
CML19041352	L 44	CML192A1257	L 54		
CML19041353	L 44	CML192A125W	L 54		
CML19041357	L 44	CML192A1350	L 54		
CML19050251	L 45	CML192A1352	L 54		
CML19050252	L 45	CML192A1355	L 54		
CML19050253	L 45	CML192A1357	L 54		
CML19050257	L 45	CML192A135W	L 54		
CML19050351	L 45	CML19350230	L 55		
CML19050352	L 45	CML19350231	L 55		
CML19050353	L 45	CML19350233	L 55		
		CML19351230	L 55		
		CML19351231	L 55		
				L	
				LB1601D06B	L 9
				LB1601D06G	L 9
				LB1601D06R	L 9
				LB1601D06W	L 9
				LB1601D06Y	L 9
				LB1601D12B	L 9
				LB1601D12G	L 9
				LB1601D12R	L 9
				LB1601D12W	L 9
				LB1601D12Y	L 9
				LB1601D28B	L 9
				LB1601D28G	L 9
				LB1601D28R	L 9
				LB1601D28W	L 9
				LB1601D28Y	L 9
				LB1801C028B	L 23
				LB1801C028R	L 23
				LB1801C06G	L 23
				LB1801C06R	L 23
				LB1801C06W	L 23

INDEX BAILEY NUMBER

Article number	Page	Article number	Page	Article number	Page
LB1801C06Y.....	L 23	LB2401C60W.....	L 25	LBS4108CB30R.....	L 33
LB1801C12G.....	L 23	LB2401C60Y.....	L 25	LBS4108CB30W.....	L 33
LB1801C12R.....	L 23	LB2601A130B.....	L 26	LBS4108CB30Y.....	L 33
LB1801C130G.....	L 23	LB2601A130G.....	L 26	LE2401C06G.....	L 28
LB1801C130W.....	L 23	LB2601A130R.....	L 26	LE2401C06R.....	L 28
LB1801C28G.....	L 23	LB2601A130W.....	L 26	LE2401C06W.....	L 28
LB1801C28W.....	L 23	LB2601A130Y.....	L 26	LE2401C06Y.....	L 28
LB1801C28Y.....	L 23	LB2601A235B.....	L 26	LE2401C12B.....	L 28
LB1801C48W.....	L 23	LB2601A235G.....	L 26	LE2401C12G.....	L 28
LB1801C60W.....	L 23	LB2601A235R.....	L 26	LE2401C12R.....	L 28
LB1801D06B.....	L 23	LB2601A235W.....	L 26	LE2401C12W.....	L 28
LB1801D06G.....	L 23	LB2601A235Y.....	L 26	LE2401C12Y.....	L 28
LB1801D06R.....	L 23	LB2601C28B.....	L 26	LE2401C130B.....	L 28
LB1801D06W.....	L 23	LB2601C28G.....	L 26	LE2401C130G.....	L 29
LB1801D06Y.....	L 23	LB2601C28R.....	L 26	LE2401C130R.....	L 29
LB1801D12B.....	L 23	LB2601C28W.....	L 26	LE2401C130W.....	L 29
LB1801D12G.....	L 23	LB2601C28Y.....	L 26	LE2401C130Y.....	L 29
LB1801D12R.....	L 23	LB280828G.....	L 27	LE2401C235B.....	L 29
LB1801D12W.....	L 23	LB280828R.....	L 27	LE2401C235G.....	L 29
LB1801D12Y.....	L 23	LB280828Y.....	L 27	LE2401C235R.....	L 29
LB1801D28B.....	L 23	LB3003A235B.....	L 32	LE2401C235W.....	L 29
LB1801D28G.....	L 23	LB3003A235G.....	L 32	LE2401C235Y.....	L 29
LB1801D28R.....	L 23	LB3003A235R.....	L 32	LE2401C28B.....	L 28
LB1801D28W.....	L 23	LB3003A235W.....	L 32	LE2401C28G.....	L 28
LB1801D28Y.....	L 23	LB3003A235Y.....	L 32	LE2401C28R.....	L 28
LB2401C06B.....	L 24	LB3003C006B.....	L 31	LE2401C28W.....	L 28
LB2401C06G.....	L 24	LB3003C006G.....	L 31	LE2401C28Y.....	L 28
LB2401C06R.....	L 24	LB3003C006R.....	L 31	LE2401C36B.....	L 28
LB2401C06W.....	L 24	LB3003C006W.....	L 31	LE2401C36G.....	L 28
LB2401C06Y.....	L 24	LB3003C006Y.....	L 31	LE2401C36R.....	L 28
LB2401C0848W.....	L 24	LB3003C012B.....	L 31	LE2401C36W.....	L 28
LB2401C0848Y.....	L 24	LB3003C012G.....	L 31	LE2401C36Y.....	L 28
LB2401C12B.....	L 24	LB3003C012R.....	L 31	LE2401C48B.....	L 28
LB2401C12G.....	L 24	LB3003C012W.....	L 31	LE2401C48G.....	L 28
LB2401C12R.....	L 24	LB3003C012Y.....	L 31	LE2401C48R.....	L 28
LB2401C12W.....	L 24	LB3003C028B.....	L 31	LE2401C48W.....	L 28
LB2401C12Y.....	L 24	LB3003C028G.....	L 31	LE2401C48Y.....	L 28
LB2401C130B.....	L 25	LB3003C028R.....	L 31	LE2401C60B.....	L 28
LB2401C130G.....	L 25	LB3003C028W.....	L 31	LE2401C60G.....	L 28
LB2401C130R.....	L 25	LB3003C028Y.....	L 31	LE2401C60R.....	L 28
LB2401C130W.....	L 25	LB3003C030W.....	L 31	LE2401C60W.....	L 28
LB2401C130Y.....	L 25	LB3003C036B.....	L 31	LE2401C60Y.....	L 28
LB2401C14G.....	L 24	LB3003C036G.....	L 31	LE2601C12B.....	L 30
LB2401C235B.....	L 25	LB3003C036R.....	L 31	LE2601C12G.....	L 30
LB2401C235G.....	L 25	LB3003C036W.....	L 31	LE2601C12R.....	L 30
LB2401C235R.....	L 25	LB3003C048B.....	L 31	LE2601C12W.....	L 30
LB2401C235W.....	L 25	LB3003C048G.....	L 31	LE2601C12Y.....	L 30
LB2401C235Y.....	L 25	LB3003C048R.....	L 31	LE2601C28B.....	L 30
LB2401C28A.....	L 24	LB3003C048W.....	L 31	LE2601C28G.....	L 30
LB2401C28B.....	L 24	LB3003C048Y.....	L 31	LE2601C28R.....	L 30
LB2401C28G.....	L 24	LB3003C060B.....	L 31	LE2601C28W.....	L 30
LB2401C28R.....	L 24	LB3003C060G.....	L 31	LE2601C28Y.....	L 30
LB2401C28W.....	L 24	LB3003C060R.....	L 31	LE2601C60W.....	L 30
LB2401C28Y.....	L 24	LB3003C060W.....	L 31	LE2903A235B.....	L 37
LB2401C30B.....	L 24	LB3003C130B.....	L 31	LE2903A235G.....	L 37
LB2401C30R.....	L 24	LB3003C130G.....	L 32	LE2903A235R.....	L 37
LB2401C30W.....	L 24	LB3003C130R.....	L 32	LE2903A235W.....	L 37
LB2401C30Y.....	L 24	LB3003C130W.....	L 32	LE2903A235Y.....	L 37
LB2401C36B.....	L 24	LB3003C130Y.....	L 32	LE2903C006B.....	L 36
LB2401C36G.....	L 24	LBS4108AK230B.....	L 33	LE2903C006G.....	L 36
LB2401C36R.....	L 24	LBS4108AK230G.....	L 33	LE2903C006R.....	L 36
LB2401C36W.....	L 24	LBS4108AK230R.....	L 33	LE2903C006W.....	L 36
LB2401C36Y.....	L 24	LBS4108AK230W.....	L 33	LE2903C006Y.....	L 36
LB2401C48B.....	L 24	LBS4108AK230Y.....	L 33	LE2903C012B.....	L 36
LB2401C48G.....	L 24	LBS4108CB12B.....	L 33	LE2903C012G.....	L 36
LB2401C48R.....	L 25	LBS4108CB12G.....	L 33	LE2903C012R.....	L 36
LB2401C48W.....	L 25	LBS4108CB12R.....	L 33	LE2903C012W.....	L 36
LB2401C48Y.....	L 25	LBS4108CB12W.....	L 33	LE2903C012Y.....	L 36
LB2401C60B.....	L 25	LBS4108CB12Y.....	L 33	LE2903C028B.....	L 36
LB2401C60G.....	L 25	LBS4108CB30B.....	L 33	LE2903C028G.....	L 36
LB2401C60R.....	L 25	LBS4108CB30G.....	L 33	LE2903C028R.....	L 36

INDEX BAILEY NUMBER

Article number	Page	Article number	Page	Article number	Page
LE2903C028W	L 36	LF1601D28Y	L 5	LP1401D12W	L 3
LE2903C028Y	L 36	LF1606D12G	L 6	LP1401D12Y	L 3
LE2903C036B	L 36	LF1606D12R	L 6	LP1401D28B	L 3
LE2903C036G	L 36	LF1606D12Y	L 6	LP1401D28G	L 3
LE2903C036R	L 36	LF1606D28G	L 6	LP1401D28R	L 3
LE2903C036W	L 36	LF1606D28R	L 6	LP1401D28W	L 3
LE2903C036Y	L 36	LF1606D28Y	L 6	LP1401D28Y	L 3
LE2903C060B	L 36	LF92801D06B	L 20	LP1601D06B	L 4
LE2903C060G	L 36	LF92801D06G	L 20	LP1601D06G	L 4
LE2903C060R	L 36	LF92801D06R	L 20	LP1601D06R	L 4
LE2903C060W	L 36	LF92801D06W	L 20	LP1601D06W	L 4
LE2903C060Y	L 36	LF92801D06Y	L 20	LP1601D06Y	L 4
LE2903C130B	L 36	LF92801D12B	L 20	LP1601D12B	L 4
LE2903C130G	L 36	LF92801D12G	L 20	LP1601D12G	L 4
LE2903C130R	L 36	LF92801D12R	L 20	LP1601D12R	L 4
LE2903C130W	L 36	LF92801D12W	L 20	LP1601D12W	L 4
LE2903C130Y	L 36	LF92801D12Y	L 20	LP1601D12Y	L 4
LE3001A230A	L 38	LF92801D28B	L 20	LP1601D28B	L 4
LE3001A230B	L 38	LF92801D28G	L 20	LP1601D28G	L 4
LE3001A230G	L 38	LF92801D28R	L 20	LP1601D28R	L 4
LE3001A230R	L 38	LF92801D28W	L 20	LP1601D28W	L 4
LE3001A230W	L 38	LF92801D28Y	L 20	LP1601D28Y	L 4
LE3001A230Y	L 38	LG1601D03G	L 7	LS3003A235B	L 35
LE3001C028A	L 38	LG1601D03W	L 7	LS3003A235G	L 35
LE3001C028B	L 38	LG1601D03Y	L 7	LS3003A235R	L 35
LE3001C028G	L 38	LG1601D06B	L 7	LS3003A235W	L 35
LE3001C028R	L 38	LG1601D06G	L 7	LS3003A235Y	L 35
LE3001C028W	L 38	LG1601D06R	L 7	LS3003C006B	L 34
LE3001C028Y	L 38	LG1601D06W	L 7	LS3003C006G	L 34
LE3503A235B	L 39	LG1601D06Y	L 7	LS3003C006R	L 34
LE3503A235G	L 39	LG1601D12B	L 7	LS3003C006W	L 34
LE3503A235R	L 39	LG1601D12G	L 7	LS3003C006Y	L 34
LE3503A235W	L 39	LG1601D12R	L 7	LS3003C012B	L 34
LE3503A235Y	L 39	LG1601D12W	L 7	LS3003C012G	L 34
LE3503C012B	L 39	LG1601D12Y	L 7	LS3003C012R	L 34
LE3503C012G	L 39	LG1601D28A	L 7	LS3003C012W	L 34
LE3503C012R	L 39	LG1601D28B	L 7	LS3003C012Y	L 34
LE3503C012W	L 39	LG1601D28G	L 7	LS3003C028B	L 34
LE3503C012Y	L 39	LG1601D28R	L 7	LS3003C028G	L 34
LE3503C028B	L 39	LG1601D28W	L 7	LS3003C028R	L 34
LE3503C028G	L 39	LG1601D28Y	L 7	LS3003C028W	L 34
LE3503C028R	L 39	LG1606D06G	L 8	LS3003C028Y	L 34
LE3503C028W	L 39	LG1606D06R	L 8	LS3003C036B	L 34
LE3503C028Y	L 39	LG1606D06Y	L 8	LS3003C036G	L 34
LE3503C036R	L 39	LG1606D12G	L 8	LS3003C036R	L 34
LE3503C036W	L 39	LG1606D12R	L 8	LS3003C036W	L 34
LE3503C036Y	L 39	LG1606D12Y	L 8	LS3003C036Y	L 34
LE3503C060B	L 39	LG1606D28G	L 8	LS3003C060B	L 34
LE3503C060G	L 39	LG1606D28R	L 8	LS3003C060G	L 34
LE3503C060R	L 39	LG1606D28Y	L 8	LS3003C060R	L 34
LE3503C060W	L 39	LG1606D48G	L 8	LS3003C060W	L 34
LE3503C060Y	L 39	LG1606D48R	L 8	LS3003C060Y	L 34
LE3503C130B	L 39	LG1606D48Y	L 8	LS3003C130B	L 34
LE3503C130G	L 39	LP1001D12B	L 2	LS3003C130G	L 34
LE3503C130R	L 39	LP1001D12G	L 2	LS3003C130R	L 34
LE3503C130W	L 39	LP1001D12R	L 2	LS3003C130W	L 34
LE3503C130Y	L 39	LP1001D12W	L 2	LS3003C130Y	L 34
LF1601D06B	L 5	LP1001D12Y	L 2	LS83104C28B	L 40
LF1601D06G	L 5	LP1001D28B	L 2	LS83104C28G	L 40
LF1601D06R	L 5	LP1001D28G	L 2	LS83104C28R	L 40
LF1601D06W	L 5	LP1001D28R	L 2	LS83104C28W	L 40
LF1601D06Y	L 5	LP1001D28W	L 2	LS83104C28Y	L 40
LF1601D12B	L 5	LP1001D28Y	L 2	LS83904C28B	L 40
LF1601D12G	L 5	LP1401D06B	L 3	LS83904C28G	L 40
LF1601D12R	L 5	LP1401D06G	L 3	LS83904C28R	L 40
LF1601D12W	L 5	LP1401D06R	L 3	LS83904C28W	L 40
LF1601D12Y	L 5	LP1401D06W	L 3	LS83904C28Y	L 40
LF1601D28B	L 5	LP1401D06Y	L 3	LS84204C28B	L 40
LF1601D28G	L 5	LP1401D12B	L 3	LS84204C28G	L 40
LF1601D28R	L 5	LP1401D12G	L 3	LS84204C28R	L 40
LF1601D28W	L 5	LP1401D12R	L 3	LS84204C28W	L 40

INDEX BAILEY NUMBER

Article number	Page	Article number	Page	Article number	Page
LS84204C28Y.....	L 40	LT3001C130B.....	L 16	LT4401D06G.....	L 18
LS84406C12B.....	L 40	LT3001C130G.....	L 16	LT4401D06R.....	L 18
LS84406C12G.....	L 40	LT3001C130R.....	L 16	LT4401D06W.....	L 18
LS84406C12R.....	L 40	LT3001C130W.....	L 16	LT4401D06Y.....	L 18
LS84406C12W.....	L 40	LT3001C130Y.....	L 16	LT4401D12B.....	L 18
LS84406C12Y.....	L 40	LT3001C230R.....	L 16	LT4401D12G.....	L 18
LS84406C28B.....	L 40	LT3001C230W.....	L 16	LT4401D12R.....	L 18
LS84406C28G.....	L 40	LT3001C28G.....	L 15	LT4401D12W.....	L 18
LS84406C28R.....	L 40	LT3001C28R.....	L 15	LT4401D12Y.....	L 18
LS84406C28W.....	L 40	LT3001C28W.....	L 15	LT4401D28B.....	L 18
LS84406C28Y.....	L 40	LT3001C28Y.....	L 15	LT4401D28G.....	L 18
LT1601D06B.....	L 12	LT3001C36Y.....	L 16	LT4401D28R.....	L 18
LT1601D06G.....	L 12	LT3001C48G.....	L 16	LT4401D28W.....	L 18
LT1601D06R.....	L 12	LT3001C48R.....	L 16	LT4401D28Y.....	L 18
LT1601D06W.....	L 12	LT3001C48Y.....	L 16	LT4401D36B.....	L 18
LT1601D06Y.....	L 12	LT3001C60W.....	L 16	LT4401D36G.....	L 18
LT1601D12B.....	L 12	LT3001D06B.....	L 15	LT4401D36R.....	L 19
LT1601D12G.....	L 12	LT3001D06G.....	L 15	LT4401D36W.....	L 19
LT1601D12R.....	L 12	LT3001D06R.....	L 15	LT4401D36Y.....	L 19
LT1601D12W.....	L 12	LT3001D06W.....	L 15	LT4401D48B.....	L 19
LT1601D12Y.....	L 12	LT3001D06Y.....	L 15	LT4401D48G.....	L 19
LT1601D28B.....	L 12	LT3001D12B.....	L 15	LT4401D48R.....	L 19
LT1601D28G.....	L 12	LT3001D12G.....	L 15	LT4401D48W.....	L 19
LT1601D28R.....	L 12	LT3001D12R.....	L 15	LT4401D48Y.....	L 19
LT1601D28W.....	L 12	LT3001D12W.....	L 15	LT4406C28G.....	L 22
LT1601D28Y.....	L 12	LT3001D12Y.....	L 15	LT4406C28R.....	L 22
LT2101C28B.....	L 13	LT3001D28B.....	L 15	LT4406C28Y.....	L 22
LT2101C28G.....	L 13	LT3001D28G.....	L 15	LT4406D28G.....	L 22
LT2101C28R.....	L 13	LT3001D28R.....	L 15	LT4406D28R.....	L 22
LT2101C28W.....	L 13	LT3001D28W.....	L 15	LT4406D28Y.....	L 22
LT2101C28Y.....	L 13	LT3001D28Y.....	L 15	LT4406D48G.....	L 22
LT2101D06B.....	L 13	LT3001D36W.....	L 15	LT4406D48R.....	L 22
LT2101D06G.....	L 13	LT3001D48W.....	L 16	LT4406D48Y.....	L 22
LT2101D06R.....	L 13	LT3001D60B.....	L 16	LW2001D06B.....	L 10
LT2101D06W.....	L 13	LT3001D60G.....	L 16	LW2001D06G.....	L 10
LT2101D06Y.....	L 13	LT3001D60R.....	L 16	LW2001D06R.....	L 10
LT2101D12B.....	L 13	LT3001D60W.....	L 16	LW2001D06W.....	L 10
LT2101D12G.....	L 13	LT3001D60Y.....	L 16	LW2001D06Y.....	L 10
LT2101D12R.....	L 13	LT3006D12G.....	L 21	LW2001D12B.....	L 10
LT2101D12W.....	L 13	LT3006D12R.....	L 21	LW2001D12G.....	L 10
LT2101D12Y.....	L 13	LT3006D12Y.....	L 21	LW2001D12R.....	L 10
LT2101D28B.....	L 13	LT3006D28G.....	L 21	LW2001D12W.....	L 10
LT2101D28G.....	L 13	LT3006D28R.....	L 21	LW2001D12Y.....	L 10
LT2101D28R.....	L 13	LT3006D28Y.....	L 21	LW2001D28B.....	L 10
LT2101D28W.....	L 13	LT4301D28B.....	L 17	LW2001D28G.....	L 10
LT2101D28Y.....	L 13	LT4301D28G.....	L 17	LW2001D28R.....	L 10
LT2101D60B.....	L 13	LT4301D28R.....	L 17	LW2001D28W.....	L 10
LT2101D60G.....	L 13	LT4301D28W.....	L 17	LW2001D28Y.....	L 10
LT2101D60R.....	L 13	LT4301D28Y.....	L 17	LW2801D06B.....	L 11
LT2101D60W.....	L 13	LT4301D54W.....	L 17	LW2801D06G.....	L 11
LT2101D60Y.....	L 13	LT4301D60B.....	L 17	LW2801D06R.....	L 11
LT2201C28G.....	L 14	LT4301D60G.....	L 17	LW2801D06W.....	L 11
LT2201C28R.....	L 14	LT4301D60R.....	L 17	LW2801D06Y.....	L 11
LT2201C28W.....	L 14	LT4301D60W.....	L 17	LW2801D12B.....	L 11
LT2201C28Y.....	L 14	LT4301D60Y.....	L 17	LW2801D12G.....	L 11
LT2201C36W.....	L 14	LT4401A230G.....	L 19	LW2801D12R.....	L 11
LT2201D06B.....	L 14	LT4401A230R.....	L 19	LW2801D12W.....	L 11
LT2201D06G.....	L 14	LT4401A230W.....	L 19	LW2801D12Y.....	L 11
LT2201D06R.....	L 14	LT4401C12G.....	L 18	LW2801D28B.....	L 11
LT2201D06W.....	L 14	LT4401C12R.....	L 18	LW2801D28G.....	L 11
LT2201D06Y.....	L 14	LT4401C12W.....	L 18	LW2801D28R.....	L 11
LT2201D12B.....	L 14	LT4401C28B.....	L 18	LW2801D28W.....	L 11
LT2201D12G.....	L 14	LT4401C28G.....	L 18	LW2801D28Y.....	L 11
LT2201D12R.....	L 14	LT4401C28R.....	L 18		
LT2201D12W.....	L 14	LT4401C28W.....	L 18		
LT2201D12Y.....	L 14	LT4401C28Y.....	L 18		
LT2201D28B.....	L 14	LT4401C36W.....	L 19		
LT2201D28G.....	L 14	LT4401C48G.....	L 19		
LT2201D28R.....	L 14	LT4401C48R.....	L 19		
LT2201D28W.....	L 14	LT4401C48Y.....	L 19		
LT2201D28Y.....	L 14	LT4401D06B.....	L 18		

This catalogue has been composed with our full attention and care and we are convinced that it should be correct at the time of printing. However, Bailey Electric & Electronics bv can never accept any responsibility on descriptions and drawings or any other printing errors.

Bailey Electric & Electronics bv is free to delete or alter lamp types and descriptions.

Photography by Claudia Aaldijk

© Copyright 2010 Bailey Electric & Electronics bv
No contents of this catalogue may be reproduced without prior written approval.

Bailey



Bailey Electric & Electronics bv

P.O. Box 142
4900 AC Oosterhout NB

Everdenberg 21
4902 TT Oosterhout NB
The Netherlands

tel.: +31 (0) 162 52 24 46

fax: +31 (0) 162 52 25 01

info@bailey.nl

www.bailey.nl